

TEAC®

Service Manual

CTM687STCR

68cm Colour Television

SPECIFICATION

SUPPLY VOLTAGE : AC220V 50Hz $\geq + 10\%$ / -20%

SYSTEM :	PAL - I / I	PAL - BG	PAL - I (UK)	PAL - SECAM - BG / DK	PAL - SECAM - BG / DK (HYPER)	PAL - BG (HYPER)	PAL - BG (CATV)	SECAM - L	L'	
CHANNEL L - VHF : H - VHF : UHF :	4 - 13 21 - 69	2 - 4 5 - 12 21 - 69	21 - 69	1 - 5 6 - 12 21 - 69	1 - 5 6 - 12 21 - 69	E2 - S10 E5 - S41 E21 - E69	E2 - S2 E5 - S20 E21 - E69	1 - Q 21 - 69	FB - FC	CH CH CH
VIF FREQUENCY :	38.9	38.9	39.5	38.0	38.9	38.9	38.9	38.9	32.7	MHz
SIF FREQUENCY :	32.9	33.4	33.5	31.5 32.5	32.4 33.4	33.4	33.4	32.4	39.2	MHz
CHROMA IF FREQUENCY :	34.47	34.47	35.07	33.57 33.57	34.47 34.47	34.47	34.47	34.47		MHz
INTER-CARRIER FREQUENCY :	6.0	5.5	6	6.5 5.5	6.5 5.5	5.5	5.5	6.5	6.5	MHz
SCANNING HORIZONTAL : VERTICAL :	15625 LINE 50 Hz									
ANTENNA INPUT IMPEDANCE :	75 OHM									
CRT :	25" - 29"									

<u>ITEMS OF MEASUREMENT</u>	<u>STANDARD</u>	<u>UNIT</u>	
VIDEO SENS. AT S/N 30db	L - VHF H - VHF UHF	≤ 57 ≤ 57 ≤ 60	dbuv dbuv dbuv
SOUND SENS. AT S/N 30db	L - VHF H - VHF UHF	≤ 42 ≤ 42 ≤ 48	dbuv dbuv dbuv
AGC CHARACTER		≥ 60	db
SELECTIVITY -1.5 MHz + 8 MHz		≥ 35 ≥ 40	db db
COLOR SENS.		≤ 45	dbuv
COLOR LOCK - IN RANGE		≥ ±300	Hz
VERTICAL LOCK - IN RANGE		≥ 6	Hz
HORIZONTAL LOCK - IN RANGE		≥ 400	Hz
MAX BRIGHTNESS		≥ 100	cd/m ²
MAX OUTPUT POWER		≥ 4.5	W
OUTPUT POWER AT 10% THD		≥ 3.5	W
BUZZ		≤ -40	db
AFC RANGE		≥ +1 ≥ -0.5	MHz MHz
MIN. VOL HUM		≤ 20	mV
RESOLUTION HORIZONTAL VERTICAL		≥ 300 ≥ 400	LINES LINES
LINEARITY DISTORTION VERTICAL HORIZONTAL		≤ 10 ≤ 10	% %
RASTER DISTORTION		≤ 5	%
REMOTE CONTROL DISTANCE ANGLE		≥ 5 ≥ ±15	METER DEGREE
POWER CONSUMPTION (AT NORMAL CONDITION) W / WOOFER POWER CONSUMPTION (AT NORMAL CONDITION)		≤ 120 ≤ 150	WATTS WATTS
CONVERGENCE DISLOCATION AT AREA "A" AREA "B" (see fig.1)		≤ 0.4 ≤ 0.8	% %

VIDEO INPUT LEVEL : 1.0V p-p ±3dB
VIDEO OUTPUT LEVEL : 1.0V p-p ±3dB

L / R AUDIO INPUT LEVEL : 0.5V Rms ±3dB
L / R AUDIO OUTPUT LEVEL : 0.5V Rms ±3dB

WOOFER AUDIO INPUT LEVEL : 125mV Rms ±25mV
WOOFER AUDIO FREQUENCY : 100Hz ±3Hz
WOOFER SUPPLY VOLTAGE DC : 18V ±1V
WOOFER MAX OUTPUT POWER : ≥7.5 WATTS

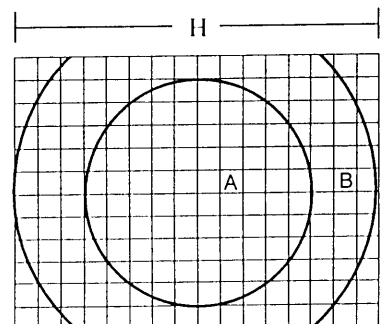


Fig.1

ALIGNMENT INSTRUCTION

PLEASE READ BEFORE ATTEMPTING SERVICE

1. Never disconnect any leads while receiver is in operation.
2. Disconnect all power before attempting any repairs.
3. Do not short any portion of the circuit while power is on.
4. For safety reasons, all parts replaced should be identical, (for parts and part numbers see parts list).
5. Before alignment the set must be pre-heated for 30 minutes or more and erase magnetism thoroughly from CRT front chassis frame by erase coil.
6. An isolation transformer should be used during any dynamic service to avoid possible shock hazard.

TEST EQUIPMENT

- | | |
|---|---|
| 1. VIF Sweep Generator | 7. Volt Ohmmeter |
| 2. SIF Sweep Generator | 8. High Voltage Meter |
| 3. Colour Bar Dot Cross Hatch Generator | 9. Ampere Meter (0.5 Class, DC 3mA Max) |
| 4. DC Power Supply | 10. Demagnetizing Coil |
| 5. Oscilloscope | 11. Philips Pattern Generator |
| 6. Vacuum Tube Voltmeter | 12. High Pot Tester |

CONVERGENCE ADJUSTMENT (SEE FIG.2)

1. Receive a dotted pattern input signal $70\text{dB} \pm 10\text{dB}$.
2. Unfix the convergence magnet clamper and align red with blue dots at the center of the screen by rotating (R,B) static convergence magnets.
3. Align Red/Blue with green dots at the center of the screen by rotating (RB-G) static convergence magnet.
4. Fix the convergence magnets by turning the clamper.
5. Remove the DY wedges and slightly tilt the deflection yoke horizontally and vertically to obtain the good overall convergence.
6. Fix the deflection yoke by wedges.
7. If purity error is found, follow "PURITY ADJUSTMENT" INSTRUCTIONS.

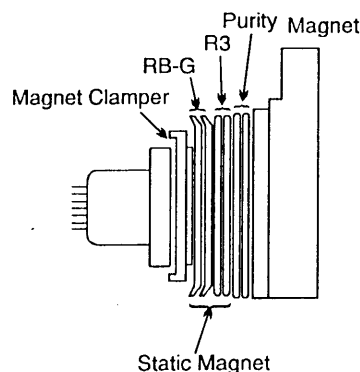


Fig. 2

AFC ALIGNMENT

1. Connect Philips Pattern Generator to tuner IF out and Ground (Frequency is as FROM 1 colour bar input signal level is $80\text{dB} \pm 3\text{dB}$).
2. Connect VOLT Ohmmeter to PIN18 and Ground to IC102.
3. Adjust T101 to obtain a DC $7\text{V} \pm 0\text{V}$.

SOUND TANK COIL ALIGNMENT

1. Connect Philips Pattern Generator to tuner IF point and Ground. (see fig.3)
(Frequency selection is subjected to require system as Form.1)
2. Connect Volt Ohmmeter to PIN12 and Ground at IC101.
3. Adjust T103 to obtain a DC2.8V \pm 0.1V.

* VIF signal is 80dB +3dB

SYSTEM	VIF	UNIT
PAL BG, BG / DK, I / I	38.9M	Hz
PAL I	39.5M	Hz
PAL DK / I (W / NICAM)	38.9M	Hz

FORM.1

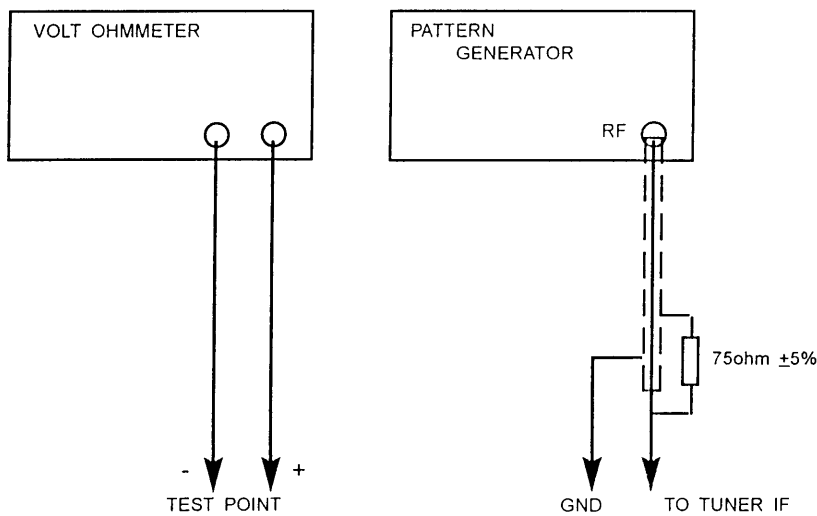


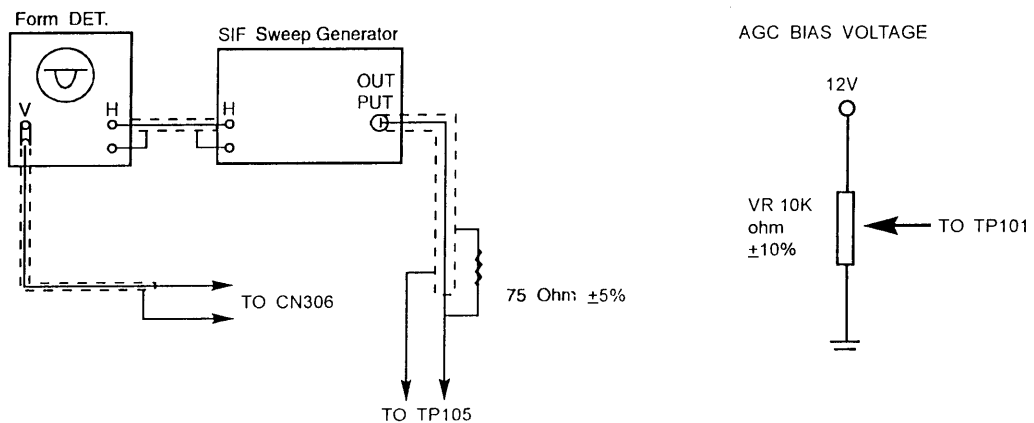
Fig.3

Remark: All frequency of marker point can have \pm 0.2% tolerance.

SOUND DEMODULATION ALIGNMENT

1. Connect 14V \pm 1V B+ bias voltage to D404 (-) and Ground.
2. Connect 14V \pm 1V B+ bias voltage to C923 (+) and Ground.
3. Connect the sweep generator to TP105. (frequency refer to SIF form)
4. Connect waveform detect to PIN1 and PIN3 (for german stereo system) at CN306.
5. Connect AGC Bias voltage to TP101.
6. The output of sweep generator should be -30dB \pm 5dB.

Remark: All frequency of marker point can have +0.2% tolerance.



7. Adjust T104 to obtain the waveform as Fig.4

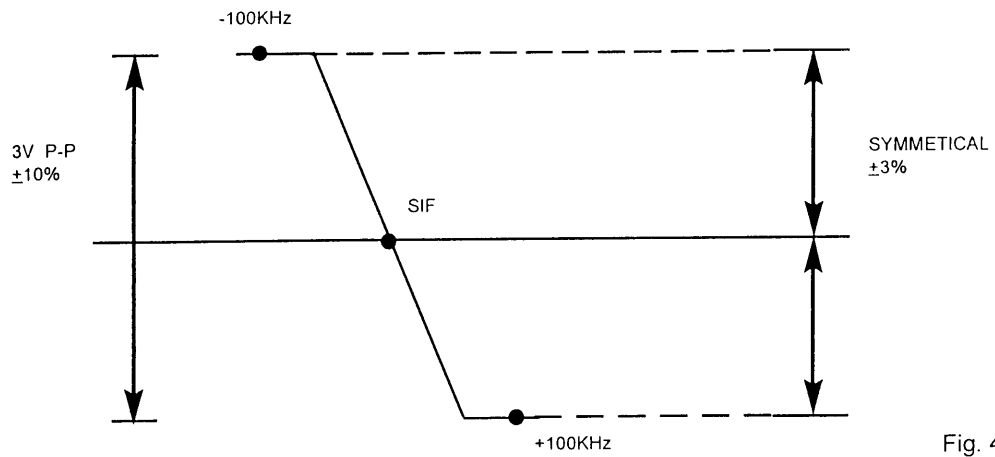


Fig. 4

ADJUSTMENT	T104
SYSTEM \ SIF	
PAL BG	5.5MHz
PAL BG / DK, DK / I, I / I	6.0MHz

FORM. 2

GERMAN STEREO SIF ADJUSTMENT

Adjust T102 to obtain the waveform as FIG. 5

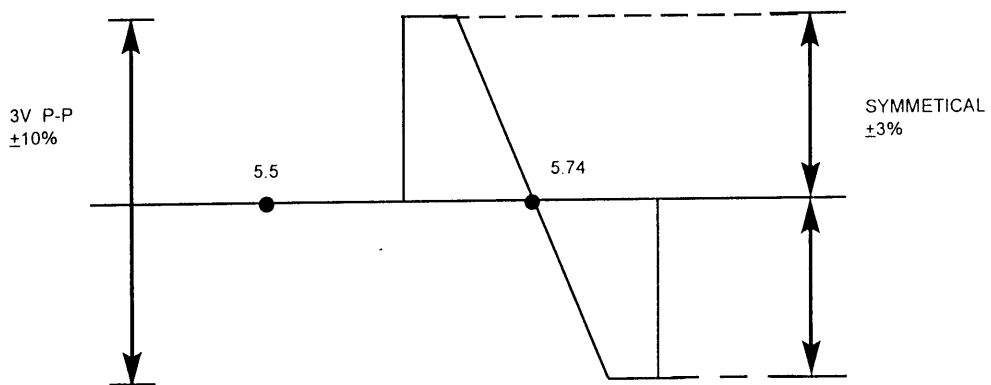


Fig. 5

STEREO AND DUAL SOUND ALIGNMENT

1. Receive colour bar pattern (with stereo and Dual Sound).
2. Connect oscilloscope to TP001, adjust VR001 with stereo signal to get a max waveform as Fig.6.
3. Connect oscilloscope to TP002, adjust VR003 with dual signal to get a max waveform as Fig.7.
4. Adjust T001 to get a max amplitude on both dual and stereo.

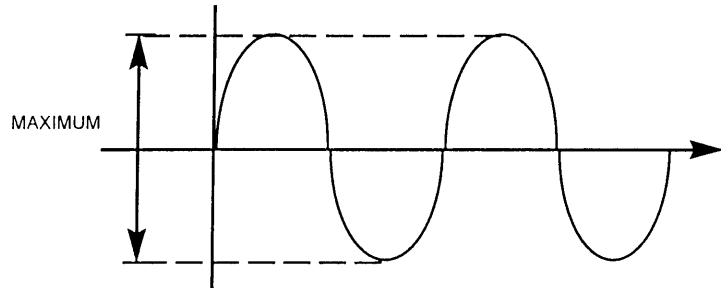


FIG.6

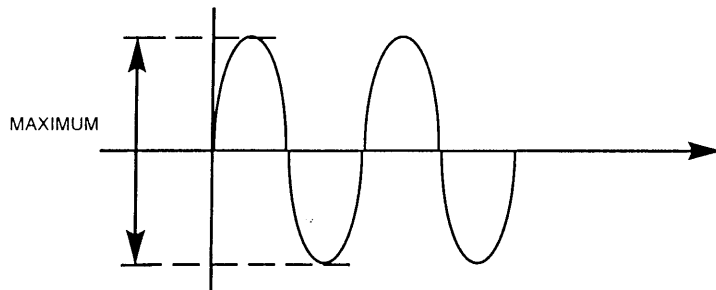
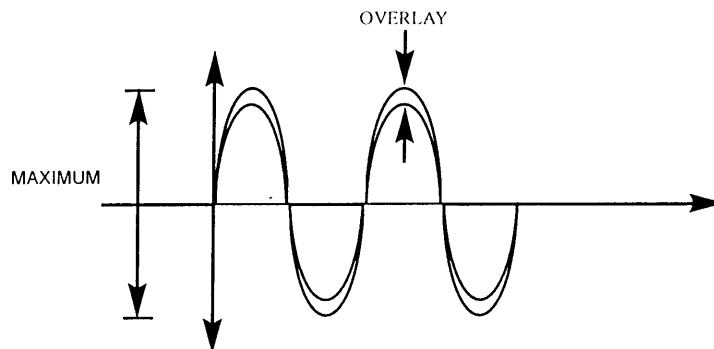


FIG.7

The above procedures are suitable only for IC TDA8416 circuit.

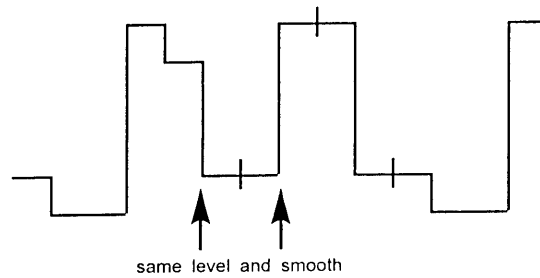
SEPARATION ALIGNMENT

1. Receive color bar pattern (with stereo sound, L=3KHz R=1KHz).
2. Connect oscilloscope to PIN1 at CN201 and ground.
3. Adjust Volume control to maximum obtain a waveform no distortion.
4. Adjust VR002 or VR060 (for IC TDA8416) to obtain waveform as follow.

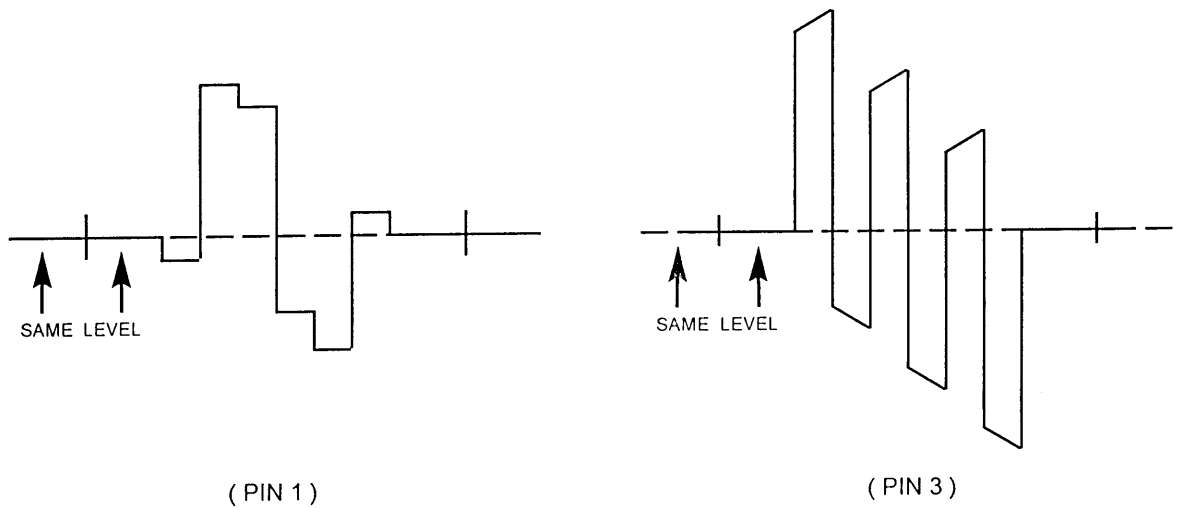


SECAM COLOUR ADJUSTMENT

1. Receive a secam colour bar signal (input signal 70dB \pm 10dB.)
2. Connect oscilloscope to PIN19 on IC307.
3. Adjust colour control to maximum.
4. Adjust T305 to get the waveform as follows.



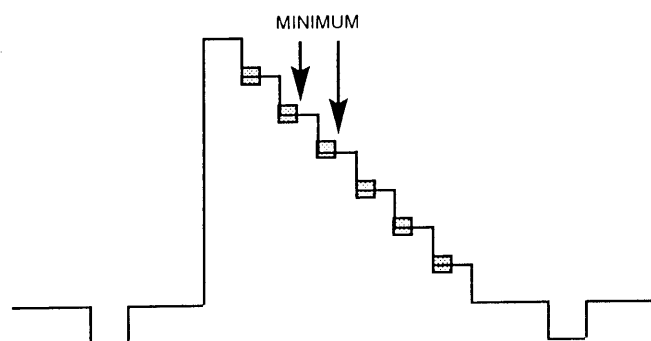
5. Connect scope to PIN1 and PIN3 on IC307.
6. Adjust T301 and VR301 to get the waveform as follows.



SECAM CHROMA TRAP ADJUSTMENT

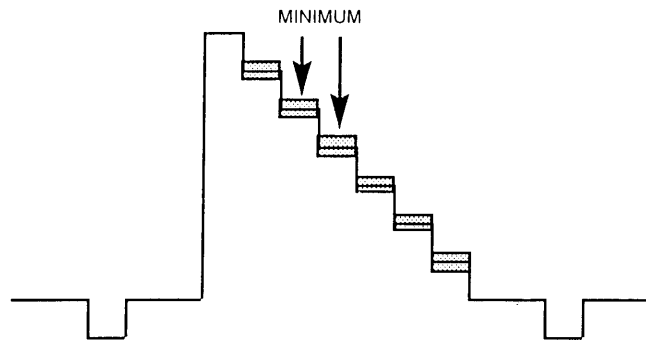
1. Receive secam color bar signal (input signal 70dB +10dB.)
2. Connect scope to PIN20 on IC304.
3. Adjust colour control to minimum.
4. Adjust T302 to get the waveform as follow.

Remark: Frequency of marker point can have \pm 0.2% tolerance.



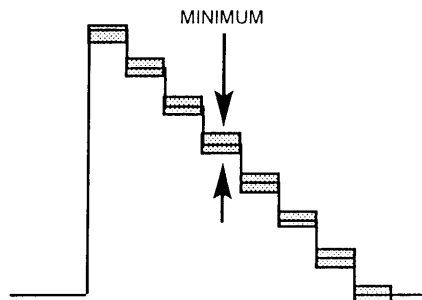
NTSC CHROMA TRAP ADJUSTMENT

1. Receive a NTSC colour bar signal from AV input.
2. IC304 PIN20.
3. Adjust color control to minimum.
4. Adjust T303 to get the waveform as follow.



PAL CHROMA TRAP ADJUSTMENT (FOR DK / I)

1. Receive PAL colour bar signal (input signal 70dB \pm 10dB.)
2. Connect scope to PIN20 on IC304.
3. Adjust colour control to minimum.
4. Adjust T302 to get the waveform as follow.



PAL CHROMA ALIGNMENT (PAL ONLY)

1. Connect OSC to PIN15 of IC307 through a 10K \pm 5% resistor.
2. Receive a PAL colour bar signal (input signal 70dB \pm 10dB.)
3. Adjust T305 to get a maximum amplitude waveform.

Remark: All frequency of marker can have \pm 0.2% tolerance.

B+ ADJUSTMENT

1. Connect a digital volt meter to TPB+ and ground.
2. Set Brightness, contrast and colour to minimum the screen just be seen.
3. Adjust VR301 and screen volume on FBT to brightest bar can just be screen.
4. Adjust VR901 and obtain a reading of 143V \pm 1V.

HORIZONTAL CIRCUIT ADJUSTMENT

1. Receive Monoscope Pattern input signal 70dB \pm 10dB.
2. Connect terminal 25 PIN of IC102 and the ground with the Elect.cap 10uF / 16V +10%.
3. Adjust VR103 to obtain the picture running at centre.
4. Adjust VR102 to obtain the picture at centre.

VERTICAL CIRCUIT ADJUSTMENT

1. Receive the Monoscope Pattern.
2. Adjust V - size (VR401) to obtain a normal picture.

WHITE BALANCE ALIGNMENT STEP

(degauss the picture by degaussing coil if necessary)

1. Set the brightness, contrast, screen and picture control to minimum value.
2. Turn VR501 to middle position. Turn VR502, 503, 504, 505 to minimum position.
3. Receive a monoscope or Philips pattern, input signal 70dB \pm 10dB.
4. Connect a digital meter between Red Gun and Ground on the CRT Board.
5. Adjust VR301 to obtain a CRT cut off voltage at 170V \pm 3V.
6. Adjust screen volume on FBT to brightest bar can just be screen.
7. Receive a black and white pattern, input signal 70dB \pm 10dB or video input 1Vp-p \pm 3dB.
8. Set the brightness and contrast to middle position.
9. Adjust VR501, 502, 503, 504, 505 to obtain a uniformly white picture (9300^oK) \pm 3JND.

SUB - BRIGHTNESS ALIGNMENT

1. Receive a Philips pattern, input signal 70dB \pm 10dB.
2. Turn the brightness, contrast and colour to minimum.
3. Adjust VR301 until the brightest bar can just be screen.

FOCUS ALIGNMENT

1. Set the brightness and contrast to middle position.
2. Receive a monoscope pattern, input signal 70dB \pm 10dB.
3. Adjust focus control to obtain sharpest picture.

PAL EAST WEST CORRECTION ADJUSTMENT

1. Receive crosshatch pattern input signal 70dB \pm 10dB.
2. Turn the brightness, contrast to middle position.
3. Adjust VR402 to get a normal regular picture.
4. Adjust VR403 to get a proper horizontal width.

NTSC EAST WEST CORRECT ADJUSTMENT

1. Receive crosshatch pattern and centre cross pattern, input signal.
2. Turn the brightness, contrast to middle position.
3. Adjust VR404 to get a normal regular picture.

AGC ALIGNMENT

1. Receive monoscope pattern at CH69 (UHF) and input field strength (tuner input signal table show as below).
2. Connect a digital meter between the tuner AGC terminal and ground.
3. Adjust the AGC variable resistor (VR201) to the MAXIMUM position (clockwise) and then adjust the VR anti-clockwise until the voltage drop down ≥ 0.4 .

Remark: (1) the voltage drop down must be close to 0.4V.
 (2) No noise on the picture.

TUNER MODEL NO.	RF INPUT SIGNAL(dB)	TUNER MODEL NO.	RF INPUT SIGNAL(dB)
ENV598B7F2	62±2dB	OSCAR 2900KKC	60±2dB
UVC6201-RC	57±2dB	HBC3300KHC	60±2dB
UVC8303-RW	57±2dB	TBD1CAB14	60±2dB
UVL1812-AW	57±2dB	TECC1986VAO618	60±2dB
UVC1401-EW	57±2dB	TBD1-HYPV15V	60±2dB
TDQ-5-32	57±3dB	UVE33-W24/R16-8649	60±2dB
TDQ-8-12	57±3dB	UVE50-AW04D	60±2dB
VISHZUZ51	60±2dB		

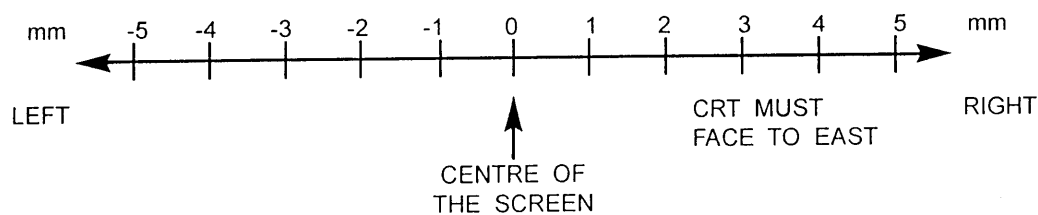
HIGH POT TESTING

1. Short the LINE CORD L - pole and N - pole.
2. Turn on the power switch of the TV set.
3. The High Pot Tester (-) connect to the L and N poly and (+) connect to the metal parts of cabinet.

Remark: The high pot tester can have $\leq \pm 3\%$ tolerance.

CONDITION	TEST SYANDARD	TEST STANDARN FOR PRODUCTION
STAFETY STD.		
VDE, SAA	3.0KV 10mA / 1MIN	≥ 3.5 KV ≤ 10 mA / ≥ 10 SEC.
BS	4.0KV 10mA / 1MIN	≥ 4.0 KV ≤ 10 mA / ≥ 10 SEC.
CHINA STANDARD	3.0KV 10mA / 1MIN	≥ 3.3 KV ≤ 5 mA / ≥ 6 SEC.

DISTRICT	CENTRE (mm) POSITION	LIMIT (mm)	SCANNING SIZE (%)	SCANNING SIZE LIMIT (%)
THAILAND	-1	0 ~ -2	90	88 ~ 92
FRANCE	+3	0 ~ +5	90	88 ~ 94
GERMANY	+3	0 ~ +5	90	90 ~ 95
*GROUP A	-2	-5 ~ -1	90	88 ~ 94
*GROUP B	0	-2 ~ +2	90	88 ~ 94
*GROUP C	+3	0 ~ +5	90	88 ~ 94



- REMARK :
1. SUITABLE FOR 14" OR ABOVE TV.
 2. Adjust the centre position must take the upper side of monoscope pattern for standard.
 3. Group A : AUSTRALIA, NEW ZEALAND, TAHITI.
 4. Group B : HONG KONG, CHINA, AMERICA, CANADA, MALAYSIA, MEXICO.
 5. Group C : ENGLAND, ITALY, GERMANY, RUSSIA, SWITZERLAND, JUGOSLAVIA, SPANISH.
If the above countries are not include, please consult to Engineering Dept.

VOLTAGE TABLE FOR TRANSISTOR (ONLY FOR REFERENCE)											
LOCATION \ TR	B (V)	C (V)	E (V)	LOCATION \ TR	B (V)	C (V)	E (V)	LOCATION \ TR	B (V)	C (V)	E (V)
Q101	10.2	10.9	11	Q307	10 mV	11.1	0	Q308	10 mV	11.1	0
	11.1	0	11.1	Q401	0.4	8.4	0	Q402	-0.1	113	0
Q102	10.9	3 mV	11	Q403	1.7	10.9	0.1	Q404	10.8	0.6	11.4
	11	3mV	11.1	Q405	0.6	9.1	11.4	Q406	10 mV	1.7	1.2
Q103	0.6	5mV	0	Q501	3.55	123.0	3.0	Q502	3.5	126.0	3.0
	30 mV	11	0	Q503	3.5	137.6	3.0	Q601	0.6	1.1	0
Q104	36 mV	11	0	Q602	0.6	56 mV	3 mV	Q603	8.6	10.9	8.3
	36 mV	11	0	Q604	2 mV	0.25	0	Q605	0.26	1.1	0
Q105	1	8	0.3	Q905	0.6	0.6	0	Q909	-36.4	202	-35
Q106	12 mV	2.4	0	Q910	-31	-30	-31	Q911	-26	-30	-31
Q107	30 mV	11	0	Q912	-22	-18.4	-30				
	0.64	46 mV	0								
Q108	11	0.1	11								
	10.2	11	11.1								
Q109	3.7	11	3.1								
Q201	18.6	18	18								
Q302	1.9	1.7	0								
Q303	42	80.8	0								
Q304	3.8	11.1	3.1								
Q305	50 mA	11.1	10 mV								
Q306	-3	10.5	0								

NOTE : VOLTAGE ARE TAKEN UNDER TUNED CONDITION WITH

CONTRAST : Maximum Position
 BRIGHTNESS : Maximum Position
 COLOR : Maximum Position
 SIGNAL INPUT : 70dB ± 10dB
 CHANNEL SETTING : The Last Channel of UHF High
 SIGNAL PATTERN : Colour Bar

VOLTAGE TABLE FOR IC (ONLY FOR REFERENCES)							
PIN NO.	SYMBOL	IC801 (V)	IC802 (V)	IC804 (V)	IC102 (V)	IC101 (V)	IC401 (V)
1		5	NC	GEN	5.1	1.7	2.2
2		1.8	4.2	4.2	2.8	2.1	0.00
3		1.9	2.2	4.3	3.7	2.5	1.6
4		0.03	2.2	NC	3.4	0.937	0.00
5		GEN	3.8	NC	3.9	1.82	0.13
6		4.9	1.3	NC	0.0	2.17	25.0
7		2.2	1.2	NC	11.5	2.17	1.9
8		2.4	3.6	NC	5.5	1.8	4.35
9		2.5	3.6	NC	5.5	1.8	24.34
10		5.0	3.7	NC	2.4	4.1	
11		GEN	0	NC	1.88	4.1	
12		2.1	0.3	5.0	2.46	2.79	
13		5	4.2	GEN	3.0	0.04	
14		GEN	GND	GEN	1.5	1.67	
15		0.42	0.6	2.3	2.29	1.77	
16		0.5	0.5	2.0	0.0	2.95	
17		0.4	0.5	0	3.5	0.03	
18		3.8	0.3	GEN	6.28	0.00	
19		4.5	0.5	NC	6.18	5.15	
20		0.8	GND	NC	5.6	1.78	
21		2.5	4.2	NC	5.6		
22		NC	2.5	NC	9.4		
23		4.3	0.8	GEN	2.8		
24		4.3	0.8	NC	2.9		
25		GEN	0.8	NC	4.5		
26		0.5	5.0	GEN	0.787		
27		0.5	5.0	NC	1.18		
28		0.5	5.0	5.0	3.3		
29		0.3					
30		0.5					
31		4.2					
32		0.3					
33		0					
34		3.7					
35		3.6					
36		3.6					
37		1.2					
38		1.3					
39		3.8					
40		2.2					
41		2.2					
42		4.2					
43		4.2					
44		0.8					
45		0.8					
46		0.8					
47		2.5					
48		5.0					
49							
50							
				SYMBOL	IC901 (WIDE VOLT PW P.C.B) (V)		
				PIN NO.			
				1		306	
				2		0	
				3		0	
				4		2	
				5		0	
				6		0	
				7		0	
				8		-0.5	
				9		-1.6	
				10			
				11			
				12			
				13			

NOTE : VOLTAGE ARE TAKEN UNDER TUNED CONDITION WITH

CONTRAST : Maximum Position
 BRIGHNESS : Maximum Position
 COLOR : Maximum Position
 SIGNAL INPUT : 70dB ± 10dB
 CHANNEL SETTING : The Last Channel of UHF High
 SIGNAL PATTERN : Colour Bar

VOLTAGE TABLE FOR IC (ONLY FOR REFERENCES)							
PIN NO.	SYMBOL	IC302 (V)	IC303 (V)	IC304 (V)	IC305 (V)	IC306 (V)	IC307 (V)
1		3.649	5.2	3.29	4.1	5.56	6.5
2		0	0	11.8	0.03	0.00	7.2
3		3.65	4.07	8.2	3.39	0.00	6.5
4		3.65	0.00	0.00	3.39	0.00	7.22
5		3.65	3.966	7.8	2.5	0.627	9.65
6		3.68	3.904	0.1	4.8	0.00	9.6
7		3.68	0.00	0.00	4.18	0.87	4.34
8		0.004	0.00	0.00	4.26	0.00	3.45
9		0.115	4.3	4.3	4.97	5.5	0.00
10		0.01	4.06	4.1	11.4	0.00	4.38
11		3.027	0.39	2.9	2.34	3.01	0.00
12		0.0	5.28	0.00	10.0	3.01	2.32
13		2.99	5.3	0.00	0.00	0.00	11.5
14		11.838	0.00	4.06	1.2	1.36	5.7
15		0.016	4.63	4.09	7.4	0.00	3.36
16		2.98	4.6	2.3	3.7	1.37	7.9
17			3.46	2.06	0.00		2.5
18			0.00	0.00	0.00		7.6
19			0.00	3.36			2.8
20			3.8	3.33			7.68
21			0.00				2.7
22			4.578				5.47
23			0.00				7.2
24			5.315				1.26
25							
26							
27							
28							
29							
30							
31							
32							
33							
34							
35							
36							
37							
38							
39							
40							
41							
42							
43							
44							

NOTE : VOLTAGE ARE TAKEN UNDER TUNED CONDITION WITH

CONTRAST : Maximum Position
 BRIGHNESS : Maximum Position
 COLOR : Maximum Position
 SIGNAL INPUT : 70dB ± 10dB
 CHANNEL SETTING : The Last Channel of UHF High
 SIGNAL PATTERN : Colour Bar

VOLTAGE TABLE FOR IC (ONLY FOR REFERENCES) (FOR STEREO TDA3803A)						
PIN NO.	SYMBOL	IC001 (V)	IC002 (V)			
1		5.6	NC			
2		5.6	NC			
3		7.4	NC			
4		11.1	NC			
5		7.3	NC			
6		7.3	GND			
7		7.3	GND			
8		7.3	GND			
9		0.06	9.3			
10		NC	9.3			
11		5.6	GND			
12		GND	GND			
13		11.2	0.01			
14		9.2	11.2			
15		9.2	11.2			
16		GND	11.2			
17		5.0				
18		GND				
19		5.0				
20		NC				
21		NC				
22		5.5				
23		5.5				
24		5.5				
25		5.5				
26		5.5				
27		5.5				
28		7.2				
29						
30						
31						
32						
33						
34						
35						
36						
37						
38						
39						
40						
41						
42						
43						
44						

NOTE : VOLTAGE ARE TAKEN UNDER TUNED CONDITION WITH

CONTRAST : Maximum Position
 BRIGHTNESS : Maximum Position
 COLOR : Maximum Position
 SIGNAL INPUT : 70dB ± 10dB
 CHANNEL SETTING : The Last Channel of UHF High
 SIGNAL PATTERN : Colour Bar

VOLTAGE TABLE FOR IC (ONLY FOR REFERENCES) (FOR NICAM IC TDA7280)							
PIN NO.	SYMBOL	IC005 (V)	IC006 (V)	IC007 (V)	IC008 (V)	IC009 (V)	IC010 (V)
1		2.1	2.0	5.2	5.2	2.6	5.2
2		0.78	GND	1.4	1.4	2.6	NC
3		0.61	2.3	1.4	1.4	2.6	NC
4		0.61	5.3	GND	GND	GND	5.2
5		0.61	3.9	5.2	5.2	5.2	GND
6		GND	4.0	5.2	5.2	1.4	5.2
7		GND	4.0	5.2	5.2	1.4	GND
8		GND	3.9	11.4	11.4	1.4	2.6
9		3.1	1.2				2.6
10		7.1	2.1				2.6
11		0.61	4.2				GND
12		2.1	5.3				GND
13		0.78	4.2				5.2
14		0.78	GND				GND
15		0.78	2.3				4.8
16		11.3	2.6				2.3
17			NC				2.2
18			NC				5.2
19			GND				2.6
20			3.3				NC
21							2.3
22							NC
23							5.2
24							NC
25							GND
26							NC
27							0.03
28							5.2
29							
30							
31							
32							
33							
34							
35							
36							
37							
38							
39							
40							
41							
42							
43							
44							

NOTE : VOLTAGE ARE TAKEN UNDER TUNED CONDITION WITH

CONTRAST : Maximum Position
 BRIGHNESS : Maximum Position
 COLOR : Maximum Position
 SIGNAL INPUT : 70dB ± 10dB
 CHANNEL SETTING : The Last Channel of UHF High
 SIGNAL PATTERN : Colour Bar

VOLTAGE TABLE FOR IC (ONLY FOR REFERENCES) (FOR NICAM IC TDA7282, IC001, IC002) (FOR G.STEREO IC TDA8416, IC060)						
PIN NO.	SYMBOL	IC601 (V)	IC001 (V)	IC002 (V)	IC060 (V)	
1		4.6	2.49	2.427	5.07	
2		0.08	5.21	GND	4.96	
3		1.759	5.07	2.282	5.97	
4		2.528	5.07	5.33	1.443	
5		2.527	0.011	0.03	GND	
6		0.03	5.18	4.12	3.212	
7		0.03	4.97	4.13	3.210	
8		3.66	4.85	3.95	3.211	
9		2.62	GND	3.957	3.212	
10		5	2.429	2.223	3.213	
11		GND	2.383	4.17	3.26	
12		4	2.37	0.007	3.258	
13		4.9	0.012	4.18	3.9	
14		4.96	0.418	GND	2.89	
15		4.96	2.462	2.502	11.12	
16		4.96	2.427	4.54	GND	
17		4.96	2.43	4.55	3.252	
18		0.1	GND	4.55	11.12	
19		4.97	2.43	GND	5.07	
20		4.98	0.019	3.287	GND	
21		GND	0.019			
22		0.005	0.014			
23		0.007	2.383			
24		0.015	0.005			
25		0.016	5.04			
26		0.443	4.97			
27		-0.073	4.98			
28		5	2.5			
29		5	2			
30		GND	1.97			
31		2.46	2.114			
32		2.119				
33		5				
34		1.32				
35		4.98				
36		0.031				
37		4.99				
38		GND				
39		5.01				
40		5				
41		0.115				
42		5				
43						
44						

NOTE : VOLTAGE ARE TAKEN UNDER TUNED CONDITION WITH

CONTRAST : Maximum Position
 BRIGHTNESS : Maximum Position
 COLOR : Maximum Position
 SIGNAL INPUT : 70dB ± 10dB
 CHANNEL SETTING : The Last Channel of UHF High
 SIGNAL PATTERN : Colour Bar

MODEL NO.: CT-M687STCR Chassis type GT-729B / 9629 / 9329 / 9425**SYSTEM: PAL BG PLAYBACK AV IN / OUT CABLE TUNER**

Part Number	Description		Unit	QTY
RC-C10	Remote Control			
10780045546	455K HZ RESONATOR "KYOCERA"		PC	1
11310100517	CARBON FILM RESISTOR 100 OHM	1/16W +-5%	PC	2
11310200517	CARBON FILM RESISTOR 1K OHM	1/16W +-5%	PC	1
11310300517	CARBON FILM RESISTOR 10K OHM	1/16W +-5%	PC	1
11310900517	CARBON FILM RESISTOR 1 OHM	1/16W +-5%	PC	2
11347300517	CARBON FILM RESISTOR 47K OHM	1/16W +-5%	PC	1
11368200517	CARBON FILM RESISTOR 6.8K OHM	1/16W +-5%	PC	1
12747604203	ELECT. CAP. 47 MFD 16V +-20%		PC	1
13060010100	INFRARED EMITTER EL-1L1	KODENSHI	PC	1
13121071929	TRANSISTOR 2SA719R/S	MATSUSHITA	PC	1
13123094500	TRANSISTOR 2SC945 NEC		PC	1
13380301033	I.C. SAA3010T PHILIPS		PC	1
17262600642	UL 1007 TOP COAT WIRE AWG 26	60MM RED 10 X 10 MM	PC	1
17262600840	UL 1007 TOP COAT WIRE AWG 26	80MM BLACK 10 X 10 MM	PC	1
19092130100	REMOTE P.C.B. (120592)		PC	1
51426041000	SELF-TAPPING SCREW 2.6 X 10	B/T (HARDEN) {BLACK}	PC	1
77493130100	BATTERY SPRING (+-)		PC	1
77493130200	BATTERY SPRING (+)		PC	1
77493130300	BATTERY SPRING (-)		PC	1
81004110413	POLYBAG 4" X 11" X 0.04MM	W/RE-CYCLING MARK	PC	1
84992130100	CONTACT RUBBER KEY PAD		PC	1
89292131701	DIAL KEY PLATE - ENG STD	{12 KEYS}	PC	1
90092131101	HANDSET TOP CABINET - MOULDED	BLK (3A) BATT. SPRING VERSION	PC	1
90092134101	HANDSET TOP CABINET - MOULDED	BLK (3A) BATT. SPRING VERSION	PC	0
90292131101	HANDSET BOTTOM CAB. - BLACK	MOULDED (3A)	PC	1
90292134101	HANDSET BOTTOM CAB. - BLACK	MOULDED (3A)	PC	0
91092130101	BATTERY DOOR (3A)		PC	1
96492130101	SENSOR LENS		PC	1
10780045546	455K HZ RESONATOR "KYOCERA"		PC	1
11310100517	CARBON FILM RESISTOR 100 OHM	1/16W +-5%	PC	2
11310200517	CARBON FILM RESISTOR 1K OHM	1/16W +-5%	PC	1
11310300517	CARBON FILM RESISTOR 10K OHM	1/16W +-5%	PC	1
11310900517	CARBON FILM RESISTOR 1 OHM	1/16W +-5%	PC	1
11347300517	CARBON FILM RESISTOR 47K OHM	1/16W +-5%	PC	1
11368200517	CARBON FILM RESISTOR 6.8K OHM	1/16W +-5%	PC	1
12747604203	ELECT. CAP. 47 MFD 16V +-20%		PC	1
13060010100	INFRARED EMITTER EL-1L1	KODENSHI	PC	1
13121071919	TRANSISTOR 2SA719S FO SHAN		PC	1
13123094500	TRANSISTOR 2SC945 NEC		PC	1
13380301033	I.C. SAA3010T PHILIPS		PC	1
17272600099	BARE WIRE 54MM		M	0.11
190R6330002	REMOTE P.C.B. (140896)		PC	1
51626040810	SELF-TAPPING SCREW 2.6 X 8 P/T	(HARDEN)	PC	2
774R6330100	BATTERY SPRING (+VE)		PC	1
774R6330200	BATTERY SPRING (-VE)		PC	1
774R6330300	BATTERY SPRING (+-VE)		PC	1
81004110413	POLYBAG 4" X 11" X 0.04MM	W/RE-CYCLING MARK	PC	1
849R6330100	KEY PAD {FULL 40 KEYS}		PC	1
892R6330106	DIAL KEY PLATE - PAL/BG W/CCD	/F.TXT	PC	1
900R6330203	HANDSET TOP CABINET -MATT BLK.	SPRAYED W/SILVER 8001C S.S.	PC	1
902R6330203	HANDSET BOTTOM CABINET - MATT	BLACK SPRAYED	PC	1
910R6330158	HANDSET BATTERY DOOR-TEAC (A)	DESIGN(M.B)(RC-C10)CT-M687STCR	PC	1
973R6330100	VOLUME/CHANNEL KNOB - MOULDED	BLACK	PC	1
10539910308	FIXED INDUCTIVE COIL 3.9 UH	+-10% (WITTIS)	PC	1

MODEL NO.: CT-M687STCR Chassis type GT-729B / 9629 / 9329 / 9425

SYSTEM: PAL BG PLAYBACK AV IN / OUT CABLE TUNER

Part Number	Description		Unit	QTY
11310010517	CARBON FILM RESISTOR 10 OHM	1/4W +-5%	PC	1
11310110517	CARBON FILM RESISTOR 100 OHM	1/4W +-5%	PC	6
11310210517	CARBON FILM RESISTOR 1K OHM	1/4W +-5%	PC	3
11310310517	CARBON FILM RESISTOR 10K OHM	1/4W +-5%	PC	1
11315210517	CARBON FILM RESISTOR 1.5K OHM	1/4W +-5%	PC	1
11315410517	CARBON FILM RESISTOR 150K OHM	1/4W +-5%	PC	1
11318210517	CARBON FILM RESISTOR 1.8K OHM	1/4W +-5%	PC	4
11327310517	CARBON FILM RESISTOR 27K OHM	1/4W +-5%	PC	1
11333210517	CARBON FILM RESISTOR 3.3K OHM	1/4W +-5%	PC	2
11339110517	CARBON FILM RESISTOR 390 OHM	1/4W +-5%	PC	1
11347210517	CARBON FILM RESISTOR 4.7K OHM	1/4W +-5%	PC	1
11356110517	CARBON FILM RESISTOR 560 OHM	1/4W +-5%	PC	1
11368110517	CARBON FILM RESISTOR 680 OHM	1/4W +-5%	PC	1
12310034093	CERAMIC CAP. 10 PF 50V +-5%	(NPO)	PC	1
12310235090	CERAMIC CAP. 0.001 MFD 50V	+10% (B TYPE)	PC	1
12310427090	CERAMIC CAP. 0.1 MFD 25V +80	-20%	PC	5
12315034093	CERAMIC CAP. 15 PF 50V +-5%	(NPO)	PC	1
12610407101	MYLAR CAP. 0.1 MFD 50V +-10%		PC	3
12622307101	MYLAR CAP. 0.022 MFD 50V +-10%		PC	1
12710507203	ELECT. CAP. 1 MFD 50V +-20%		PC	1
12710704203	ELECT. CAP. 100 MFD 16V +-20%		PC	2
12747704203	ELECT. CAP. 470 MFD 16V +-20%		PC	1
13013414801	SILICON DIODE IN4148		PC	2
13121101500	TRANSISTOR 2SA1015 TOSHIBA		PC	1
13123181525	TRANSISTOR 2SC1815 TOSHIBA		PC	1
13313524633	I.C. SAA5246AP/E PHILIPS (M6)		PC	1
13330097233	PHILIPS IC CTV972 FOR EAST	EUROPE	PC	1
13330768867	I.C. GM76C88L-15 GOLDSTAR		PC	1
13727000033	CRYSTAL 27 MHZ 16PF "GIC"		PC	1
13798304022	CRYSTAL 9.8304 MHZ WEI WAH		PC	1
16010325527	PIN CONNECTOR 3 PINS PLUG		PC	4
16010625527	PIN CONNECTOR 6 PINS WAFER	(SHS) S11-W	PC	2
17272600099	BARE WIRE 54MM		M	0.28
19093290AXF	TELETEXT P.C.B. (060596)		PC	1
19130120207	3 PIN SOCKET ASSM'Y		PC	1
19130120307	3 PIN SOCKET ASSM'Y		PC	1
19160120100	6 PIN SOCKET ASS'Y		PC	1
51430340810	SELF-TAPPING SCREW 3 X 8 B/T	(HARDEN)	PC	2
84005102011	RUBBER PAD (UL 94VO)		PC	3
50930501000	MACHINE SCREW 3 X 10 KM	(BLACK)	PC	2
51440042510	SELF-TAPPING SCREW 4 X 25 B/T	(HARDEN)	PC	10
51440043510	SELF-TAPPING SCREW 4 X 35 B/T	(HARDEN)	PC	3
51530341010	SELF-TAPPING SCREW 3 X 10	W/B/T (HARDEN)	PC	15
51530341210	SELF-TAPPING SCREW 3 X 12	W/B/T (HARDEN)	PC	14
52493250100	CRT MTG. SCREW 7 X 35 VP	(HARDEN)	PC	4
58010126101	CABLE TIE L=100MM		PC	2
62288280200	FELT L240 X W17 X T0.5MM	W/TAPE	PC	17
77794270200	SPRING IN ID11 X L23.5		PC	1
81005220414	POLYBAG 5" X 22" X 0.04MM	W/RE-CYCLING MARK {P/O MAT}	PC	1
83423080200	RUBBER WASHER OD=23, ID=8, T=2		PC	4
84001102421	PAD CORD L240 X W10 X T1 MM	W/TAPE	PC	1
84005103011	RUBBER PAD (ONE SIDE W/TAPE)		PC	4
920932901U0	P.C.B. MTG. BRACKET		PC	1
92988210300	LED HOLDER BKT		PC	1

MODEL NO.: CT-M687STCR Chassis type GT-729B / 9629 / 9329 / 9425**SYSTEM: PAL BG PLAYBACK AV IN / OUT CABLE TUNER**

Part Number	Description		Unit	QTY
93989200100	POWER KNOB ADAPTER		PC	1
94888200300	DOOR LOCKER		PC	1
954729A0100	STUD POST BLACK ABS		PC	2
95488210000	AC LINE CORD CLIP		PC	1
95488280400	HIGH VOLTAGE CABLE SPACER		PC	2
991729B0100	POWER KNOB - BLACK MOULED		PC	1
00212900346	29" CRT SH FOR AUSTRALIA	A68KVL74X03 SAMSUNG	PC	0
0021295054A	29" CRT RCA A68AGA 20X505	(AUSTRALIA)	PC	1
00313137207	TUNER OSCAR 2900KKC 3X1 772	"TELEFUNKEN" (HIGH JACK)	PC	1
00313176907	TUNER HYPER BAND (3300 KHC 3 X	5 569)"TELEFUNKEN" (HIGH JACK)	PC	0
00890029104	DEGAUSSING COIL 90T (W/FIVE LA	YERS OF TAPE) FOR 29"	PC	1
10773150000	SAW FILTER TSB-5308U (SANYO)		PC	1
10773891600	SAW FILTER TSF-5316 SANYO		PC	1
11315310517	CARBON FILM RESISTOR 15K OHM	1/4W +-5%	PC	2
11322310167	METAL FILM RESISTOR 22K OHM	1/4W +-1%	PC	1
14610000213	TACT SWITCH KSM0634A HDK		PC	1
1662870354H	SPEAKER 3 X 5" 8 OHM 7W `TCL'	#YDT812-2B-SP	PC	2
17155008402	84" AC LINE CORD (END-CUT)SAA	APPW/7.5A PLUG.	PC	1
171550084B0	7" SAA APP LINE CORD 2-PIN	PLUG	PC	0
171550084D0	84" AC LINE CORD W/SAA APP.	10A 250V	PC	0
171550084D1	7' SAA APP. LINE CORD W/PLUG	E-CUTTING 45MM,15MM PVC HOLDER	PC	0
18622750314	BATTERY 3A		PC	2
19140100507	4 PIN SOCKET ASS'Y L=450MM		PC	1
61093290715	GIFT BOX - TEAC (B) DESIGN	(CT-M687STCR)(K3A3A3K)	PC	1
61888280100	PACKING PAD (FOR POLYFOAM)		PC	2
66323049797	SERIAL NO.LABEL - OC:GT-497/97		PC	2
669729B0101	RATING LABEL - TEAC DESIGN	(CT-M687STCR) 240V	PC	1
670729B0005	I/MANUAL - TEAC (A) DESIGN	(CT-M687STCR) 40PROG.	PC	1
678628A0003	EASY TUNE CARD (A) - TEAC (B)	DESIGN	PC	1
678729B0002	SIMPLE REMOTE CONTROL NOTE -	TEAC (A) DESIGN	PC	1
678729B0104	SCREEN STICKER - TEAC (B)	DESIGN (CT-M687STCR)	PC	1
67893131503	TOTAL CARE LABEL - TEAC (A)	DESIGN	PC	1
67893290017	CB NO.LABEL (I) - TEAC DESIGN	(CT-M686STR) (LARGE SIZE)	PC	2
67894250119	CB NO.LABEL (II) - TEAC (A)	DESIGN (CT-M686STR) SMALL SIZE	PC	1
69093293901	WARRANTY CARD -TEAC (B) DESIGN		PC	1
693729B0101	EAN CODE LABEL - 9313060008734		PC	1
703729B0101	SPEAKER GRILLE - MATT BLACK	DOUBLE SIDE W/SPRAY	PC	2
71093290101	NAME PLATE - TEAC (B) DESIGN	(BIG SIZE) (ELECTROFORMED)	PC	1
800729B0100	POLYFOAM TOP (LEFT)		PC	1
800729B0200	POLYFOAM TOP (RIGHT)		PC	1
800729B0300	POLYFOAM BOTTOM (LEFT)		PC	1
800729B0400	POLYFOAM BOTTOM (RIGHT)		PC	1
81045530460	POLYBAG 45"X53"X0.04MM	(TEAC DESIGN CT-M596SR)	PC	1
82643200500	FOAM SHEET - 43" X 20" X 0.5MM	THK	PC	1
82647350500	FOAM SHEET - 47" X 35" X 0.5MM	THK	PC	1
884729B0602	PRESET PLATE - TEAC DESIGN	(W/CLEAR FUNCTION KEY)15 KEYS	PC	1
88493293404	JACK COVER PLATE - TEAC (A)	DESIGN (CT-M687STCR)	PC	1
900729B0205	FRONT CABINET - 426U SONY GREY	SPRAY	PC	1
902932911U0	BACK CABINET (UL)		PC	1
919729B0108	PRESET DOOR - TEAC DESIGN (CT-	M687STCR)W/CABLE READY WORDING	PC	1
980932923U0	JACK PLATE W/BRASS INSERT (521	-882001-00 2PCS/SET) UL 94V0	PC	1
00122802610	FLYBACK TRANSFORMER BSC26-1		PC	0
00122927905	FLYBACK TRANSFORMER 154-279C	(C) LG BEIJING	PC	0
00122990105	FLYBACK TRANSFORMER F27901-02/	154-279C GOLDSTAR	PC	1
01210234006	SEMI-FIXED RESISTOR EVND8AA	03B13 1KB	PC	2

MODEL NO.: CT-M687STCR Chassis type GT-729B / 9629 / 9329 / 9425**SYSTEM: PAL BG PLAYBACK AV IN / OUT CABLE TUNER**

Part Number	Description		Unit	QTY
01210434006	SEMI-FIXED RESISTOR EVND8AA	03B15 100KB	PC	1
01220233006	SEMI-FIXED RESISTOR EVND2AA	03B23 2KB	PC	5
01220334006	SEMI-FIXED RESISTOR EVND8AA	03B24 20KB	PC	2
01250234006	SEMI-FIXED RESISTOR EVND8AA	03B53 5KB	PC	3
01250334006	SEMI-FIXED RESISTOR EVND8AA	03B54 50KB	PC	2
10119100996	HORIZONTAL DRIVE TRANSFORMER	(R1009)	PC	1
10128827095	LINE FILTER LB28T270		PC	1
10128828095	LINE FILTER 50MH FOR 28"		PC	0
10149026094	SWITCH POWER TRANSFORMER 28"	KB49C260 "HIGHLIGHT"	PC	1
10149050194	SWITCH POWER TRANSFORMER	#BCK-4025B-501 "SHEKOU JEWEL"	PC	0
10237060002	TANK COIL / AFC COIL COILS	707851	PC	1
10267130002	SOUND IF COIL. COILS 710256		PC	2
10267160002	SOUND IF COIL KHC-823087	"COILS"	PC	1
10277031002	CHROMA FILTER KH-814657	"COILS"	PC	1
10287050002	DOSC COIL. COILS 707534		PC	1
10510010302	FIXED INDUCTIVE COIL 10uH	+ -10% AXIAL TYPE	PC	2
10515010102	FIXED INDUCTIVE COIL 15UH 10%		PC	1
10515010206	LINEARITY COIL 15UH FOR 29"	RCA CRT	PC	1
10520110602	CHOKER COIL 200UH 10% CH9012-	201K (ELEC PRODUCT)	PC	2
10547910308	FIXED INDUCTIVE COIL 4.7 UH		PC	1
10556010102	FIXED INDUCTOR COIL 56uH + -10%	CW-560K-455-705111	PC	3
10568910308	FIXED INDUCTOR COIL 6.8 UH	+ -10% AXIAL	PC	1
10582115606	CHOKER COIL 820UH 0.37 OHM	HIGHLIGHT	PC	1
10582810302	FIXED INDUCTIVE COIL 0.82UH	10% AXIAL TYPE	PC	1
10582910308	FIXED CONDUCTOR COIL 8.2 UH	+ -10% AXIAL	PC	3
10621001201	RELAY 12V OMIT-SS-112LM	ORIGINAL	PC	1
10710443066	CHROMA TRAP CERAMIC FILTER	4.43 MHZ WEI HAW	PC	1
10710550066	SOUND TRAP CERAMIC FILTER	5.5MHZ WEI HAW	PC	1
10730550016	SOUND BYPASS CERAMIC FILTER	5.5MHZ WEI HAW	PC	1
10730574016	SOUND BYPASS CERAMIC FILTER	5.74MHZ SFE-5.74MC MURATA	PC	1
11110320123	VARIABLE RESISTOR 10K (EVU-E2A	20B14 MATSUSHITA)	PC	1
1111042812A	VARIABLE RES. W/CENTRE CHICK	100K (VA09CVI U 20TMB100K HDK)	PC	1
11310010517	CARBON FILM RESISTOR 10 OHM	1/4W +-5%	PC	4
11310020512	CARBON FILM RESISTOR 10 OHM	1/2W +-5%	PC	1
11310050575	METAL OXIDE FILM RESISTOR 10	OHM 3W +-5%	PC	1
11310110517	CARBON FILM RESISTOR 100 OHM	1/4W +-5%	PC	9
11310110517	CARBON FILM RESISTOR 100 OHM	1/4W +-5%	PC	11
11310130575	METAL OXIDE FILM RESISTOR 100	OHM 1W +-5%	PC	1
11310210517	CARBON FILM RESISTOR 1K OHM	1/4W +-5%	PC	11
11310210517	CARBON FILM RESISTOR 1K OHM	1/4W +-5%	PC	12
11310210517	CARBON FILM RESISTOR 1K OHM	1/4W +-5%	PC	10
11310210517	CARBON FILM RESISTOR 1K OHM	1/4W +-5%	PC	1
11310230575	METAL OXIDE FILM RESISTOR 1K	OHM 1W +-5%	PC	1
11310310167	METAL FILM RESISTOR 10K OHM	1/4W +-1%	PC	1
11310310517	CARBON FILM RESISTOR 10K OHM	1/4W +-5%	PC	2
11310310517	CARBON FILM RESISTOR 10K OHM	1/4W +-5%	PC	9
11310310517	CARBON FILM RESISTOR 10K OHM	1/4W +-5%	PC	9
11310310517	CARBON FILM RESISTOR 10K OHM	1/4W +-5%	PC	9
11310410517	CARBON FILM RESISTOR 100K OHM	1/4W +-5%	PC	3
11310430575	METAL OXIDE FILM RESISTOR 100K	OHM 1W +-5%	PC	1
11310510167	METAL FILM RESISTOR 1M OHM	1/4W +-1%	PC	1
11310930575	METAL OXIDE FILM RESISTOR 1	OHM 1W +-5%	PC	1
11312030575	METAL OXIDE FILM RESISTOR 12	OHM 1W +-5%	PC	1
11312040575	METAL OXIDE FILM RESISTOR 12	OHM 2W +-5%	PC	1
11312110517	CARBON FILM RESISTOR 120 OHM	1/4W +-5%	PC	3

MODEL NO.: CT-M687STCR Chassis type GT-729B / 9629 / 9329 / 9425**SYSTEM: PAL BG PLAYBACK AV IN / OUT CABLE TUNER**

Part Number	Description		Unit	QTY
11312210517	CARBON FILM RESISTOR 1.2K OHM	1/4W +-5%	PC	9
11312220512	CARBON FILM RESISTOR 1K2 OHM	1/2W +-5%	PC	1
11312310517	CARBON FILM RESISTOR 12K OHM	1/4W +-5%	PC	2
11315010517	CARBON FILM RESISTOR 15 OHM	1/4W +-5%	PC	4
11315120512	CARBON FILM RESISTOR 150 OHM	1/2W +-5%	PC	2
11315210517	CARBON FILM RESISTOR 1.5K OHM	1/4W +-5%	PC	3
11315310517	CARBON FILM RESISTOR 15K OHM	1/4W +-5%	PC	4
11315340575	METAL OXIDE FILM RESISTOR 15K	OHM 2W +-5%	PC	1
11315410517	CARBON FILM RESISTOR 150K OHM	1/4W +-5%	PC	3
11315420512	CARBON FILM RESISTOR 150K OHM	1/2W +-5%	PC	1
11315840575	METAL OXIDE FILM RESISTOR 0.15	OHM 2W +-5%	PC	1
11315990551	WIRE WOUND CEMENT RESISTOR 1.5	OHM 10W +-5%	PC	1
11318110517	CARBON FILM RESISTOR 180 OHM	1/4W +-5%	PC	1
11318210517	CARBON FILM RESISTOR 1.8K OHM	1/4W +-5%	PC	11
11318210517	CARBON FILM RESISTOR 1.8K OHM	1/4W +-5%	PC	2
11318310517	CARBON FILM RESISTOR 18K OHM	1/4W +-5%	PC	4
11318410517	CARBON FILM RESISTOR 180K OHM	1/4W +-5%	PC	3
11320260575	METAL OXIDE FILM RESISTOR 2K	OHM 5W +-5%	PC	1
11322110517	CARBON FILM RESISTOR 220 OHM	1/4W +-5%	PC	5
11322130575	METAL OXIDE FILM RESISTOR 220	OHM 1W +-5%	PC	1
11322210167	METAL FILM RESISTOR 2.2K OHM	1/4W +-1%	PC	1
11322210517	CARBON FILM RESISTOR 2.2K OHM	1/4W +-5%	PC	5
11322310517	CARBON FILM RESISTOR 22K OHM	1/4W +-5%	PC	11
11322410517	CARBON FILM RESISTOR 220K OHM	1/4W +-5%	PC	1
11322910517	CARBON FILM RESISTOR 2.2 OHM	1/4W +-5%	PC	3
11322920512	CARBON FILM RESISTOR 2.2 OHM	1/2W +-5%	PC	1
11322940542	FUSING RESISTOR 2.2 OHM 2W +-5	%	PC	1
11322950575	METAL OXIDE FILM RESISTOR 2.2	OHM 3W +-5%	PC	1
11322960551	WIRE WOUND CEMENT RESISTOR	2.2 OHM 5W +-5%	PC	1
11327010517	CARBON FILM RESISTOR 27 OHM	1/4W +-5%	PC	1
11327040575	METAL OXIDE FILM RESISTOR 27	OHM 2W +-5%	PC	1
11327110517	CARBON FILM RESISTOR 270 OHM	1/4W +-5%	PC	1
11327210517	CARBON FILM RESISTOR 2.7K OHM	1/4W +-5%	PC	1
11327220512	CARBON FILM RESISTOR 2.7K OHM	1/2W +-5%	PC	5
11327310517	CARBON FILM RESISTOR 27K OHM	1/4W +-5%	PC	2
11327410517	CARBON FILM RESISTOR 270K OHM	1/4W +-5%	PC	1
11333110517	CARBON FILM RESISTOR 330 OHM	1/4W +-5%	PC	5
11333210217	CARBON FILM RESISTOR 3.3K OHM	1/4W +-2%	PC	4
11333210517	CARBON FILM RESISTOR 3.3K OHM	1/4W +-5%	PC	9
11333310517	CARBON FILM RESISTOR 33K OHM	1/4W +-5%	PC	7
11333410167	METAL FILM RESISTOR 330K OHM	1/4W +-1%	PC	1
11333410517	CARBON FILM RESISTOR 330K OHM	1/4W +-5%	PC	1
11333430575	METAL OXIDE FILM RESISTOR 330K	OHM 1W +-5%	PC	1
11333510517	CARBON FILM RESISTOR 3.3M OHM	1/4W +-5%	PC	1
11339050575	METAL OXIDE FILM RESISTOR 39	OHM 3W +-5%	PC	1
11339060575	METAL OXIDE FILM RESISTOR 39	OHM 5W +-5%	PC	1
11339110517	CARBON FILM RESISTOR 390 OHM	1/4W +-5%	PC	3
11339210517	CARBON FILM RESISTOR 3.9K OHM	1/4W +-5%	PC	1
11339310517	CARBON FILM RESISTOR 39K OHM	1/4W +-5%	PC	3
11347010517	CARBON FILM RESISTOR 47 OHM	1/4W +-5%	PC	2
11347110517	CARBON FILM RESISTOR 470 OHM	1/4W +-5%	PC	4
11347210517	CARBON FILM RESISTOR 4.7K OHM	1/4W +-5%	PC	11
11347310517	CARBON FILM RESISTOR 47K OHM	1/4W +-5%	PC	5
11347910517	CARBON FILM RESISTOR 4.7 OHM	1/4W +-5%	PC	2
11351110517	CARBON FILM RESISTOR 510 OHM	1/4W +-5%	PC	1

MODEL NO.: CT-M687STCR Chassis type GT-729B / 9629 / 9329 / 9425**SYSTEM: PAL BG PLAYBACK AV IN / OUT CABLE TUNER**

Part Number	Description		Unit	QTY
11356110517	CARBON FILM RESISTOR 560 OHM	1/4W +-5%	PC	5
11356210517	CARBON FILM RESISTOR 5.6K OHM	1/4W +-5%	PC	6
11356310517	CARBON FILM RESISTOR 56K OHM	1/4W +-5%	PC	1
11356521092	CARBON COMPOSITION RESISTOR	5.6M OHM 1/2W +-10%	PC	2
11356521097	CARBON COMPOSITION RESISTOR	5.6M OHM 1/2W +-10% MATSUSHITA	PC	2
11356521097	CARBON COMPOSITION RESISTOR	5.6M OHM 1/2W +-10% MATSUSHITA	PC	0
11368110517	CARBON FILM RESISTOR 680 OHM	1/4W +-5%	PC	2
11368210217	CARBON FILM RESISTOR 6.8K OHM	1/4W +-2%	PC	1
11368210517	CARBON FILM RESISTOR 6.8K OHM	1/4W +-5%	PC	2
11368830542	FUSING RESISTOR 0.68 OHM 1W	+-5%	PC	3
11368830549	FUSING RESISTOR 0.68 OHM 1W	+-5% "KOA"	PC	0
11368840542	FUSEBLE RESISTOR 0.68 2W +-5%		PC	1
11375010517	CARBON FILM RESISTOR 75 OHM	1/4W +-5%	PC	5
11382010517	CARBON FILM RESISTOR 82 OHM	1/4W +-5%	PC	2
11382110517	CARBON FILM RESISTOR 820 OHM	1/4W +-5%	PC	1
11382210517	CARBON FILM RESISTOR 8.2K OHM	1/4W +-5%	PC	4
11382250575	METAL OXIDE FILM RESISTOR 8.2K	OHM 3W +-5%	PC	3
11382310517	CARBON FILM RESISTOR 82K OHM	1/4W +-5%	PC	2
11382960575	METAL OXIDE FILM RESISTOR 8.2	OHM 5W +-5%	PC	1
11421026200	THERMISTOR PTH451C262B		PC	1
11421027002	THERMISTOR 18 OHM 270V	#2322 662 96524 "PHILIPS"	PC	0
11421027012	THERMISTOR 18 OHM 276V	#2322 662 96724 "PHILIPS"	PC	0
11421029000	THERMISTOR 18 OHM +-20%	#PTH451C234BG180M290A "MURATA"	PC	0
12310135060	CERAMIC CAP. 100 PF 50V +-10%	(SL TYPE) "SMART GOOD"	PC	3
12310235090	CERAMIC CAP. 0.001 MFD 50V	+-10% (B TYPE)	PC	10
12310337090	CERAMIC CAP. 0.01 MFD 50V +80	-20%	PC	12
12310337090	CERAMIC CAP. 0.01 MFD 50V +80	-20%	PC	3
12310427090	CERAMIC CAP. 0.1 MFD 25V +80	-20%	PC	7
12310427090	CERAMIC CAP. 0.1 MFD 25V +80	-20%	PC	1
12310435090	CERAMIC CAP. 0.1 MFD 50V	+-10% (B TYPE)	PC	2
12312135060	CERAMIC CAP. 120 PF 50V +-10%	(SL TYPE)	PC	3
12312255190	CERAMIC CAP. 0.0012 MFD 500V	+-10% (B TYPE) MATSUSHITA	PC	1
12313034093	CERAMIC CAP. 13PF 50V +-5%	(NPO)	PC	1
12315135060	CERAMIC CAP 150 PF 50V +-10%	(SL TYPE)	PC	1
12315285010	CERAMIC CAP. 0.0015 MFD 2KV	+-10% MATSUSHITA	PC	1
12320934093	CERAMIC CAP. 2PF 50V +-5%	(NPO)	PC	1
12322034060	CERAMIC CAP. 22 PF 50V +-5%	(SL TYPE)	PC	4
12322135060	CERAMIC CAP. 220 PF 50V +-10%	(SL TYPE)	PC	6
12322155190	CERAMIC CAP. 220 PF 500V	+-10% MATSUSHITA	PC	1
12322246647	CERAMIC CAP. 0.0022 MFD 400VAC	+-20% W/IEC384-14 APP. "TDK"	PC	0
12322246650	CERAMIC CAP. 0.0022 MFD 400VAC	+-20% ECKDNA222ME "MATSUSHITA"	PC	1
12322246651	CERAMIC CAP. 0.0022 MFD 400V	+-20% W/IEC 384-14 APP. MURATA	PC	0
12322285010	CERAMIC CAP. 0.0022 MFD 2KV	+-10% MATSUSHITA	PC	1
12322337090	CERAMIC CAP. 0.022 MFD 50V +80	-20%	PC	12
12324034093	CERAMIC CAP 24PF 50V +-5%(NPO)		PC	1
12327034060	CERAMIC CAP. 27 PF 50V +-5%	(SL-TYPE)	PC	1
12327034093	CERAMIC CAP. 27PF 50V +-5%	(NPO)	PC	2
12327135060	CERAMIC CAP. 270 PF 50V +-10%	(SL TYPE)	PC	3
12333034060	CERAMIC CAP. 33 PF 50V +-5%	(SL TYPE)	PC	1
12333135060	CERAMIC CAP. 330 PF 50V +-10%	(SL TYPE)	PC	1
12339034093	CERAMIC CAP. 39PF 50V +-5%	(NPO)	PC	2
12339135060	CERAMIC CAP. 390PF 50V +-10%	(SL TYPE)	PC	1
12347235090	CERAMIC CAP. 0.0047 MFD 50V	+-10% (B TYPE)	PC	2
12347255090	CERAMIC CAP. 0.0047 MFD 500V	+-10% (B TYPE)	PC	2
12347255290	CERAMIC CAP. 0.0047 MFD 500V	+-10% (B TYPE) SMALL SIZE	PC	3

MODEL NO.: CT-M687STCR Chassis type GT-729B / 9629 / 9329 / 9425**SYSTEM: PAL BG PLAYBACK AV IN / OUT CABLE TUNER**

Part Number	Description		Unit	QTY
12347265090	CERAMIC CAP. 4700 PF 1 KV		PC	1
12347285010	CERAMIC CAP. 0.0047MFD 2KV	+ -10% MATSUSHITA	PC	1
12368034060	CERAMIC CAP. 68 PF 50V +-5%	(SL TYPE)	PC	1
12368135090	CERAMIC CAP. 680 PF 50V +-10%	(B TYPE)	PC	1
12382185010	CERAMIC CAP. 820 PF 2KV +-10%	(SL TYPE) MATSUSHITA	PC	1
12422406103	TANTALIUM CAP. 0.22 MFD 35V	+ -10%	PC	2
12536112011	POLYSTYRENE CAP. 360PF 125V	+ -5%	PC	1
12539112011	POLYSTYRENE CAP. 390 PF 125V	+ -5%	PC	1
12610207101	MYLAR CAP. 0.001 MFD 50V +-10%		PC	3
12610307101	MYLAR CAP. 0.01 MFD 50V +-10%		PC	3
12610407101	MYLAR CAP. 0.1 MFD 50V +-10%		PC	12
12610407101	MYLAR CAP. 0.1 MFD 50V +-10%		PC	8
12610410131	POLYPROPYLENE CAP. 0.1 MFD	100V +-10%	PC	1
12622207101	MYLAR CAP. 0.0022 MFD 50V	+ -10%	PC	2
12622307101	MYLAR CAP. 0.022 MFD 50V +-10%		PC	5
12622340131	POLYPROPYLENE CAP. 0.022MFD	400V +-10%	PC	2
12622407101	MYLAR CAP 0.22 MFD 50V +-10%		PC	5
12627207031	POLYPROPYLENE CAP. 0.0027 MFD	50V +-5%	PC	1
12633307101	MYLAR CAP. 0.033 MFD 50V +-10%		PC	1
12633407101	MYLAR CAP. 0.33 MFD 50V +-10%		PC	4
12647207101	MYLAR CAP. 0.0047 MFD 50V	+ -10%	PC	2
12647216041	METALLIZED POLYPROPYLENE CAP.	0.0047 MFD 1600V +-5%	PC	2
12647307101	MYLAR CAP. 0.047 MFD 50V +-10%		PC	2
12647322241	METALIZED POLYPROPYLENE CAP.	0.047 MFD 275V +-20% "OKAYA"	PC	2
12647322242	METALIZED POLYPROPYLENE CAP.	0.047 MFD 275V +-20% "TEAPO"	PC	0
12647420131	POLYPROPYLENE CAP 0.47 MFD	200V +-10%	PC	1
12647422241	METALIZED POLYPROPYLENE CAP.	0.47 MFD 275VAC +-20% "OKAYA"	PC	1
12647422242	METALIZED POLYPROPYLENE CAP.	0.47 MFD 275V +-20% "TEAPO"	PC	0
12668307101	MYLAR CAP. 0.068 MFD 50V +-10%		PC	1
12710507203	ELECT. CAP. 1 MFD 50V +-20%		PC	4
12710604203	ELECT. CAP. 10 MFD 16V +-20%		PC	8
12710604203	ELECT. CAP. 10 MFD 16V +-20%		PC	10
12710607203	ELECT. CAP. 10 MFD 50V +-20%		PC	2
12710610403	ELECT CAP. 10 MFD 100V +-20%	105øC	PC	1
12710704203	ELECT. CAP. 100 MFD 16V +-20%		PC	8
12710706203	ELECT. CAP. 100 MFD 35V +-20%		PC	2
12710713203	ELECT. CAP. 100 MFD 160V +-20%	"NICHICON"	PC	3
12710804203	ELECT. CAP. 1000 MFD 16V +-20%		PC	2
12710805203	ELECT. CAP. 1000 MFD 25V +-20%		PC	6
12722504223	ELECT. CAP. BIPOLAR 2.2MFD 16V	+ -20%	PC	2
12722507203	ELECT. CAP 2.2 MFD 50V +-20%		PC	9
12722604203	ELECT. CAP. 22 MFD 16V +-20%		PC	1
12722704203	ELECT. CAP. 220 MFD 16V +-20%		PC	3
12722706203	ELECT. CAP. 220 MFD 35V +-20%		PC	1
12722740203	ELECT CAP. 220 MFD 400V +-20%	(i22MM-26MM)	PC	1
12722805203	ELECT. CAP. 2200 MFD 25V +-20%		PC	2
12733507105	ELECT CAP. 3.3UF 50V +-10%	(TIME CONSTANT)	PC	1
12733507203	ELECT CAP. 3.3 MFD 50V +-20%		PC	1
12733604203	ELECT. CAP. 33 MFD 16V +-20%		PC	2
12733604223	ELECT. CAP. BIPOLAR 33 MFD 16V	+ -20%	PC	1
12733625203	ELECT CAP. 33 MFD 250V +-20%		PC	1
12733806203	ELECT CAP. 3300 MFD 35V +-20%		PC	1
12747507203	ELECT CAP 4.7 MED 50V		PC	7
12747510223	ELECT CAP.BIPOLAR 4.7MFD 100V	+ -20%	PC	1
12747604203	ELECT. CAP. 47 MFD 16V +-20%		PC	4

MODEL NO.: CT-M687STCR Chassis type GT-729B / 9629 / 9329 / 9425**SYSTEM: PAL BG PLAYBACK AV IN / OUT CABLE TUNER**

Part Number	Description		Unit	QTY
12747605203	ELECT. CAP. 47 MFD 25V +-20%		PC	1
12747607207	ELECT.CAP. 47 MFD 50V +-20%	NICHICON	PC	1
12747609407	ELECT CAP. 47 MFD 63V +-20%	105øC "NICHICON"	PC	1
12747704203	ELECT. CAP. 470 MFD 16V +-20%		PC	7
12747805203	ELECT. CAP. 4700MFD 25V +-20%		PC	1
13013414801	SILICON DIODE IN4148		PC	12
13013414801	SILICON DIODE IN4148		PC	11
13024080950	VERIABLE CAPACITANCE DIODE	BB809	PC	2
13031034100	RECTIFIER DIODE 3TH41 TOSHIBA		PC	1
13031034500	RECTIFIER DIODE 3JH45 TOSHIBA		PC	2
13031040600	BRIDGE RECTIFIER RBV-406	SANKEN	PC	1
13031154560	RECTIFIER DIODE 1R5JH45		PC	2
13031400101	RECTIFIER DIODE 1N4001		PC	1
13031529500	RECTIFIER DIODE S5295G TOSHIBA		PC	7
13041005101	ZENER DIODE 5.1V 1/2W +-5%		PC	1
13041005601	ZENER DIODE 5.6V		PC	1
13041008201	ZENER DIODE 8.2V		PC	1
13041010001	ZENER DIODE 10V 1/2W		PC	1
13041012002	ZENER DIODE 12V HZ12A2		PC	1
13041057400	ZENER DIODE UPC 574J NEC		PC	1
13041109101	ZENER DIODE 9.1V		PC	1
13042212000	ZENER DIODE 1W 12V		PC	1
13051204400	LED 3MM RED 204HDC		PC	1
13121056418	TRANSISTOR 2SA564AQ		PC	1
13121101500	TRANSISTOR 2SA1015 TOSHIBA		PC	3
13122077420	TRANSISTOR 2SB774/Q/R/S	MATSUSHITA	PC	1
13123180900	TRANSISTOR 2SC1809 ROHM		PC	1
13123181525	TRANSISTOR 2SC1815 TOSHIBA		PC	12
13123181525	TRANSISTOR 2SC1815 TOSHIBA		PC	11
13123223000	NPN-TR 2SC2230A-Y (TOSHI) TO92	VCE=180V IC=.1A HFE=120-240	PC	1
13123248200	TRANSISTOR 2SC2482 TOSHIBA		PC	1
13123361900	TRANSISTOR 2SC3619		PC	3
13123470600	TRANSISTOR 2SC4706 SHIN HO		PC	1
13124140625	TRANSISTOR 2SD1406-Y TOSHIBA		PC	1
13124140627	TRANSISTOR 2SD1406-GR TOSHIBA		PC	1
13124250000	TRANSISTOR 2SD2500 TOSHIBA		PC	1
13146236900	TRANSISTOR PH2369 PHILIPS		PC	1
13310035233	I.C. CTV350S.GW2 PHILIPS		PC	1
13310242131	I.C. ST24C02AB1 SGS		PC	1
13310350433	I.C. TDA3504 PHILIPS		PC	1
13310385733	IC TDA3857 PHILIPS		PC	1
13310456533	I.C. TDA4565 PHILIPS		PC	1
13310465033	I.C. TDA 4650 PHILIPS		PC	1
13310466533	I.C. TDA4665 (PHILIPS IC)		PC	1
13310830533	IC TDA8305A PHILIPS		PC	1
13310841633	I.C. TDA8416 PHILIPS		PC	1
13310862814	IC TA8628N TOSHIBA		PC	1
13320365433	I.C. TDA3654 (PHILIPS)		PC	1
13320444516	I.C. LA4445 (SANYO)		PC	1
13320780531	I.C. L7805CV SGS		PC	1
13320781231	IC L7812CV SGS-THOMSON		PC	1
13330424133	I.C. 74HCT241N PHILIPS		PC	1
13330511431	I.C. TEA5114A SGS		PC	1
13650000200	REMOTE RECEIVER (HC-SZ02)		PC	1
13710000031	CRYSTAL 10 MHZ HOORAY		PC	2

MODEL NO.: CT-M687STCR Chassis type GT-729B / 9629 / 9329 / 9425**SYSTEM: PAL BG PLAYBACK AV IN / OUT CABLE TUNER**

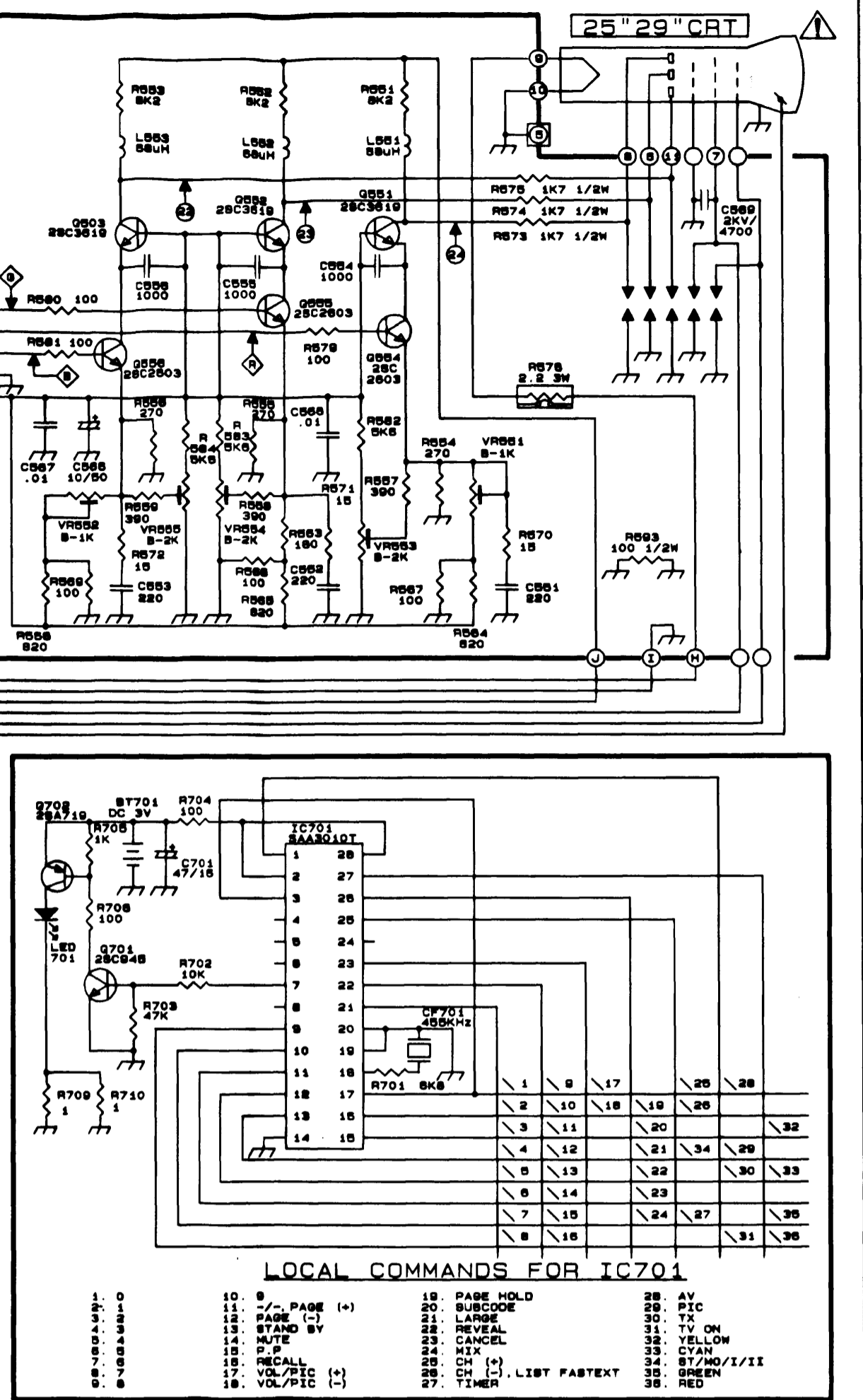
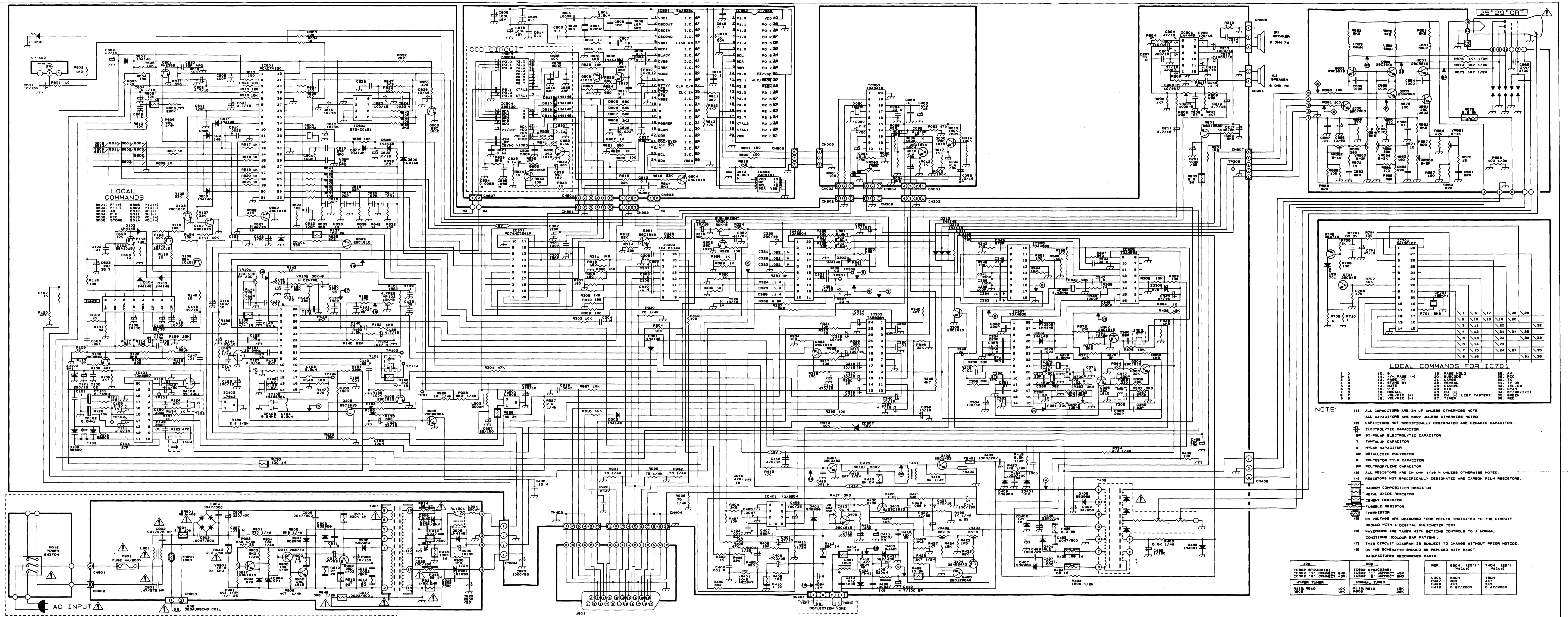
Part Number	Description		Unit	QTY
13771590920	CRYSTAL 7.15909 MHz		PC	1
13788672320	CRYSTAL 8.86 MHz KDS		PC	1
14610000114	POWER SWITCH (ESB-99957S COST	COST REDUCTION)	PC	0
14610000213	TACT SWITCH KSM0634A HDK		PC	12
14610000614	POWER SWITCH PS5E-B	"CHINA LANDMARK"	PC	1
16010100108	PIN CONNECTOR 1 PIN PLUG	STRAIGHT	PC	3
16010225527	PIN CONNECTOR 2 PINS PLUG	STRAIGHT (UL) (S.H.S)	PC	2
16010280508	PIN CONNECTOR 2 PIN PLUG	STRAIGHT	PC	1
16010325527	PIN CONNECTOR 3 PINS PLUG		PC	6
16010380508	PIN CONNECTOR 3 PIN PLUG	STRAIGHT	PC	1
16010425527	PIN CONNECTOR 4 PINS PLUG	(SHS)	PC	3
16010480508	PIN CONNECTOR 4 PIN PLUG	STRAIGHT	PC	2
16010525527	PIN CONNECTOR 5 PINS WAFER	2.5 PITCH	PC	1
16010625527	PIN CONNECTOR 6 PINS WAFER	(SHS) S11-W	PC	1
16011025527	PIN CONNECTOR 10 PINS PLUG		PC	1
16148010532	RF CONNECTOR #KP-JJ (PAL)	MIKI	PC	1
16154000401	CRT SOCKET ISH-01 IN CHANG		PC	0
16154010500	CRT SOCKET ISL-01 IN CHANG		PC	0
16154010501	CRT SOCKET HPS0199-01-020	(HOSIDEN) 29MM THICK	PC	1
16154350505	CRT SOCKET ISHL-35 IN CHANG		PC	0
16168370222	21 PIN SOCKET		PC	1
17262001040	UL 1007 TOP COAT WIRE AWG 20	100MM BLACK 10 X 10 MM	PC	1
17262001440	UL 1007 TOP COAT WIRE AWG 20	140MM BLACK 10 X 10 MM	PC	2
17262001443	UL 1007 TOP COAT WIRE AWG 20	140MM ORANGE 10 X 10MM	PC	1
17262200740	UL 1007 TOP COAT WIRE #22 70MM	BLACK 5 X 5 MM	PC	1
17262200740	UL 1007 TOP COAT WIRE #22 70MM	BLACK 5 X 5 MM	PC	1
17262600840	UL 1007 TOP COAT WIRE AWG 26	80MM BLACK 10 X 10 MM	PC	2
17262600840	UL 1007 TOP COAT WIRE AWG 26	80MM BLACK 10 X 10 MM	PC	2
17262601442	UL 1007 TOP COAT WIRE AWG 26	140MM RED 10 X 10 MM	PC	1
17262601442	UL 1007 TOP COAT WIRE AWG 26	140MM RED 10 X 10 MM	PC	1
17262601443	UL 1007 TOP COAT WIRE AWG 26	140MM ORANGE 10 X 10 MM	PC	3
17262601643	UL 1007 TOP COAT WIRE AWG 26	160MM ORANGE 10 X 10 MM	PC	1
17262601643	UL 1007 TOP COAT WIRE AWG 26	160MM ORANGE 10 X 10 MM	PC	1
17262601843	UL 1007 TOP COAT WIRE AWG 26	180MM ORANGE 10 X 10 MM	PC	2
17262602040	UL 1007 TOP COAT WIRE AWG 26	200MM	PC	2
17262602043	TOP COAT WIRE 200MM AWG 26	ORANGE 10 X 10MM	PC	1
17262602441	UL 1007 TOP COAT WIRE AWG 26	240MM BROWN 10 X 10 MM	PC	3
17272600099	BARE WIRE 54MM		M	10.2
17272600099	BARE WIRE 54MM		M	0
17272600099	BARE WIRE 54MM		M	0
17272600099	BARE WIRE 54MM		M	0
17272600099	BARE WIRE 54MM		M	0
17272600099	BARE WIRE 54MM		M	0
17272600099	BARE WIRE 54MM		M	0
17283012099	FLAT BRIDED WIRE		M	2.6
17483302650	DOUBLE SHIELD WIRE UL 2547 AWG	28 260MM BLACK	PC	1
17765505302	2 PIN FLAT CABLE WIRE AWG 26	50MM	PC	1
17900101000	OIL SLEEVING 1 mm DIA.		M	0.18
17900101000	OIL SLEEVING 1 mm DIA.		M	0
17900101000	OIL SLEEVING 1 mm DIA.		M	0.06
17910140000	UL/CSA PVC TUBE 14MM DIA.	(UL APP'D ES8072)	PC	0.26
17910500000	UL PVC TUBE 5mm DIA		M	0.2
17910500000	UL PVC TUBE 5mm DIA		M	1.2
17910730000	UL PVC TUBE 7.3MM DIA.		PC	0.22
17911050000	UL PVC TUBE 11MM DIA.		M	0.05
17940303000	3MM DIA. SHRINKABLE TUBE		PC	0.2

MODEL NO.: CT-M687STCR Chassis type GT-729B / 9629 / 9329 / 9425**SYSTEM: PAL BG PLAYBACK AV IN / OUT CABLE TUNER**

Part Number	Description	Unit	QTY	
17940303000	3MM DIA. SHRINKABLE TUBE	PC	0.08	
18222400003	FUSE T4A 250V	PC	1	
18222400023	FUSE T4A/250V 5 X 20 MM TIME-	LAG #50T040H "UNITRONIC"	PC	0
18222400033	FUSE 4A/250V 5 X 20MM SLO-BLO	#218004 LITTELFUSE	PC	0
18435080508	AXIAL LEAD BEAD INDUCTORS	"COILS"	PC	3
19088200AXE	POWER SWITCH P.C.B. (131196)		PC	1
19088280300	CRT P.C.B. (071197)		PC	1
19093250207	POWER P.C.B. (280595)		PC	1
19093290408	21 PIN SOCKET P.C.B. (140295)		PC	1
19093290AXB	MAIN P.C.B. (120598)		PC	1
19094200309	NICAM/STEREO P.C.B. (260897)		PC	1
19101100107	10 PINS SOCKET ASS'Y L=210MM	(1-6 FLT CABLE,7-10 S.S.CABLE)	PC	1
19101100107	10 PINS SOCKET ASS'Y L=210MM	(1-6 FLT CABLE,7-10 S.S.CABLE)	PC	0
19110100707	1 PIN SOCKET ASS'Y L=350MM		PC	1
19110101207	1 PIN DOUBLE INSULATION WIRE	AWG 18 L=400MM BLUE	PC	1
19110101210	1 PIN DOUBLE INSULATION WIRE	AWG 18 L=400MM BLUE	PC	0
19110101307	1 PIN DOUBLE INSULATION WIRE	AWG 18 L=400MM BROWN	PC	1
19110101310	1 PIN DOUBLE INSULATION WIRE	AWG 18 L=400MM BROWN	PC	0
19120100107	2 PINS SOCKET ASS'Y L=160MM		PC	1
19120100407	2 PINS SOCKET ASS'Y L=500MM		PC	1
19120100607	2 PINS SOCKET ASS'Y L=700MM		PC	1
19130100307	3 PINS SOCKET ASS'Y L=450MM		PC	1
19130100307	3 PINS SOCKET ASS'Y L=450MM		PC	0
19130100307	3 PINS SOCKET ASS'Y L=450MM		PC	0
19130120207	3 PIN SOCKET ASSM'Y		PC	1
19130120507	3 PINS SOCKET ASS'Y L=100MM		PC	1
19140101407	4 PINS SOCKET ASS'Y L=350MM		PC	1
19140101407	4 PINS SOCKET ASS'Y L=350MM		PC	0
19140120107	4 PINS SOCKET ASS'Y L=60MM		PC	1
19150004809	5 PIN SOCKET ASSM'Y L=480MM		PC	1
19150004809	5 PIN SOCKET ASSM'Y L=480MM		PC	0
19160100707	6 PINS SOCKET ASS'Y L=210MM	(1-6 PIN W/FLAT CABLE)	PC	1
19160100707	6 PINS SOCKET ASS'Y L=210MM	(1-6 PIN W/FLAT CABLE)	PC	0
40252200111	COAXIAL CABLE W/DIN, RCA 250MM	W/3 SOLDERING POINT "MIKI"	PC	1
50430500610	MACHINE SCREW 3 X 6 B/M	(WHITE)	PC	6
51440031210	SELF-TAPPING SCREW 4 X 12 B/A	(HARDEN)	PC	1
51530340810	SELF-TAPPING SCREW 3 X 8	W/B/T (HARDEN)	PC	2
51530341010	SELF-TAPPING SCREW 3 X 10	W/B/T (HARDEN)	PC	1
51730331210	SELF-TAPPING SCREW 3 X 12 W/A	W/H=7MM (HARDEN)	PC	6
51730331210	SELF-TAPPING SCREW 3 X 12 W/A	W/H=7MM (HARDEN)	PC	0
54002003001	EYELET 2 X 3 MM		PC	8
58010100401	"EZ" TWIST LOCK SUPPORTS	#23EZ0625N0028	PC	1
58010126101	CABLE TIE L=100MM		PC	22
58010126101	CABLE TIE L=100MM		PC	2
58010126101	CABLE TIE L=100MM		PC	3
58010126101	CABLE TIE L=100MM		PC	6
63011452000	FIBRE WASHER		PC	1
63011551200	FIBRE WASHER 11 X 5.5 X 1.2 mm		PC	4
66193250101	FUSE LABEL - ATAKI DESIGN	(T4A/250V)	PC	1
74488130100	SPRING FOR C.R.T. MOUNTING 5.2	X 42 X 0.6MM	PC	2
74606310100	TEST PIN:TOTAL LENGTH 18.6mm	THK:0.8mm	PC	2
74606310101	AC LINE CORD PIN		PC	4
75006310100	SOLDERING LUG LEG:8X4MM		PC	3
75006310201	35MM SOLDERING LUG	OD:7 ID:3.2 LEG:4X35MM	PC	6
76668680100	FUSE HOLDER		PC	2

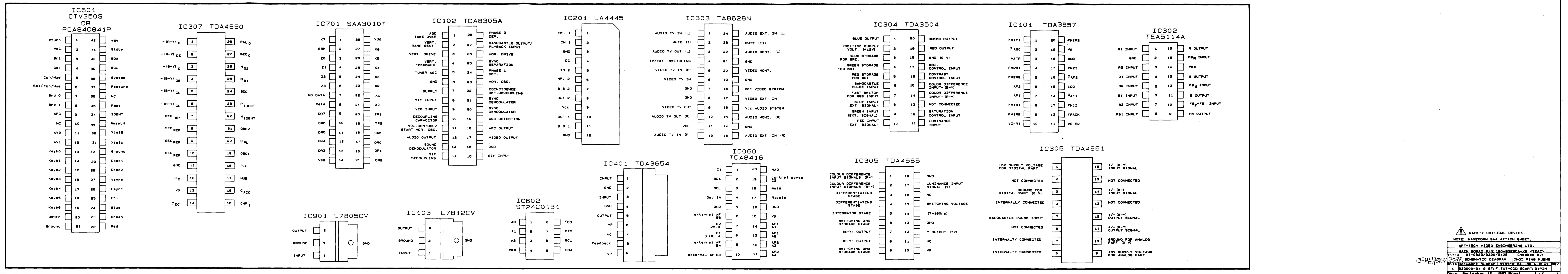
MODEL NO.: CT-M687STCR Chassis type GT-729B / 9629 / 9329 / 9425**SYSTEM: PAL BG PLAYBACK AV IN / OUT CABLE TUNER**

Part Number	Description		Unit	QTY
77993250100	IRON HEAT SINK		PC	1
77993290202	IRON HEAT SINK		PC	1
78193250102	ALUMINIUM HEAT SINK (POWER)		PC	1
78193290301	ALUMINIUM HEAT SINK (A)		PC	1
78193290901	ALUMINIUM HEAT SINK (L)		PC	1
78193291001	ALUMINIUM HEAT SINK (M)		PC	1
78388130602	SHIELD CAN COVER		PC	1
78388131301	SHIELD CAN		PC	1
81009150413	POLYBAG 9" X 15" X 0.04MM W/	RE-CYCLING P.E.MARK	PC	1
89688210100	POWER BOARD COVER (UL)		PC	1
93888200100	SECAM BOARD HOLDER		PC	4
10510910308	FIXED INDUCTIVE COIL 1.0UH	+/-10% (WITTIS)	PC	1
11310210517	CARBON FILM RESISTOR 1K OHM	1/4W +/-5%	PC	2
11310310167	METAL FILM RESISTOR 10K OHM	1/4W +/-1%	PC	1
11310310517	CARBON FILM RESISTOR 10K OHM	1/4W +/-5%	PC	3
11333310517	CARBON FILM RESISTOR 33K OHM	1/4W +/-5%	PC	1
11347110517	CARBON FILM RESISTOR 470 OHM	1/4W +/-5%	PC	1
11356310517	CARBON FILM RESISTOR 56K OHM	1/4W +/-5%	PC	1
11368210517	CARBON FILM RESISTOR 6.8K OHM	1/4W +/-5%	PC	1
12310427090	CERAMIC CAP. 0.1 MFD 25V +80	-20%	PC	3
12333034093	CERAMIC CAP. 33 PF 50V +/-5%	(NPO)	PC	2
12356135060	CERAMIC CAP. 560 PF 50V +/-10%	(SL TYPE)	PC	1
12668207101	MYLAR CAP. 0.0068 MFD 50V	+/-10%	PC	1
12668307101	MYLAR CAP. 0.068 MFD 50V +/-10%		PC	1
12733604203	ELECT. CAP. 33 MFD 16V +/-20%		PC	1
13013414801	SILICON DIODE IN4148		PC	4
13123181525	TRANSISTOR 2SC1815 TOSHIBA		PC	2
13330186648	I.C. Z86E0408PSC1866 "ZILOG"		PC	1
13338612948	I.C. Z86129 "ZILOG" FOR CCD		PC	1
13780000020	CRYSTAL 8.0 MHZ KITRONICS		PC	1
16010225527	PIN CONNECTOR 2 PINS PLUG	STRAIGHT (UL) (S.H.S)	PC	1
16138180223	I.C. SOCKET 18 PINS	"TRI-MARK"	PC	2
17262600440	UL 1007 TOP COAT WIRE AWG 26	40MM BLACK 5 X 5 MM	PC	1
17262601244	UL 1007 TOP COAT WIRE AWG 26	120MM YELLOW 10 X 10 MM	PC	1
17272600099	BARE WIRE 54MM		M	0.22
17765500208	8 PINS FLAT CABLE L=25MM	UL2468 #26	PC	1
17765500312	12 PINS FLAT CABLE L=25MM	UL2468 #26	PC	1
17765500804	4 PINS FLAT CABLE L=80MM	UL2468 #26	PC	1
19093290405	CCD P.C.B.		PC	1
19120003010	2 PIN SOCKET ASS'Y L=300MM		PC	1



- NOTE:
- (1) ALL CAPACITORS ARE IN μ F UNLESS OTHERWISE NOTED
 - (2) ALL CAPACITORS ARE SHOWN UNLESS OTHERWISE NOTED
 - (3) CAPACITORS NOT SPECIFICALLY DESIGNATED ARE CERAMIC CAPACITOR.
 - (4) ELECTROLYTIC CAPACITOR
 - (5) BI-POLAR ELECTROLYTIC CAPACITOR
 - (6) TANTALUM CAPACITOR
 - (7) MYLAR CAPACITOR
 - (8) METALLIZED POLYMER
 - (9) POLYESTER FILM CAPACITOR
 - (10) POLYPROPYLENE CAPACITOR
 - (11) ALL RESISTORS ARE IN OHM $1/10$ W UNLESS OTHERWISE NOTED.
 - (12) RESISTORS NOT SPECIFICALLY DESIGNATED ARE CARBON FILM RESISTORS.
 - (13) CARBON COMPOSITION RESISTOR
 - (14) METAL OXIDE RESISTOR
 - (15) CERAMIC RESISTOR
 - (16) FUSIBLE RESISTOR
 - (17) THERMISTOR
 - (18) DC VOLTAGE ARE MEASURED FROM POINTS INDICATED TO THE CIRCUIT
 - (19) GROUND WITH A DIGITAL MULTIMETER TEST.
 - (20) WAVEFORMS ARE TAKEN WITH SETTINGS CONTROLS TO A NORMAL CONDITIONS (COLOR BAR PATTERN).
 - (21) THIS CIRCUIT DIAGRAM IS SUBJECT TO CHANGE WITHOUT PRIOR NOTICE.
 - (22) ON THE SCHEMATIC SHOULD BE REPLACED WITH EXACT MANUFACTURER'S RECOMMENDED PARTS.

400	IC606 ST400181	IC602 ST2400181	IC601 STV3005
401	IC607 STV3005	IC608 STV3005	IC609 STV3005
402	IC610 STV3005	IC611 STV3005	IC612 STV3005
403	IC613 STV3005	IC614 STV3005	IC615 STV3005
404	IC616 STV3005	IC617 STV3005	IC618 STV3005
405	IC619 STV3005	IC620 STV3005	IC621 STV3005
406	IC622 STV3005	IC623 STV3005	IC624 STV3005
407	IC625 STV3005	IC626 STV3005	IC627 STV3005
408	IC628 STV3005	IC629 STV3005	IC630 STV3005
409	IC631 STV3005	IC632 STV3005	IC633 STV3005
410	IC634 STV3005	IC635 STV3005	IC636 STV3005
411	IC637 STV3005	IC638 STV3005	IC639 STV3005
412	IC640 STV3005	IC641 STV3005	IC642 STV3005
413	IC643 STV3005	IC644 STV3005	IC645 STV3005
414	IC646 STV3005	IC647 STV3005	IC648 STV3005
415	IC649 STV3005	IC650 STV3005	IC651 STV3005
416	IC652 STV3005	IC653 STV3005	IC654 STV3005
417	IC655 STV3005	IC656 STV3005	IC657 STV3005
418	IC658 STV3005	IC659 STV3005	IC660 STV3005
419	IC661 STV3005	IC662 STV3005	IC663 STV3005
420	IC664 STV3005	IC665 STV3005	IC666 STV3005
421	IC667 STV3005	IC668 STV3005	IC669 STV3005
422	IC670 STV3005	IC671 STV3005	IC672 STV3005
423	IC673 STV3005	IC674 STV3005	IC675 STV3005
424	IC676 STV3005	IC677 STV3005	IC678 STV3005
425	IC679 STV3005	IC680 STV3005	IC681 STV3005
426	IC682 STV3005	IC683 STV3005	IC684 STV3005
427	IC685 STV3005	IC686 STV3005	IC687 STV3005
428	IC688 STV3005	IC689 STV3005	IC690 STV3005
429	IC691 STV3005	IC692 STV3005	IC693 STV3005
430	IC694 STV3005	IC695 STV3005	IC696 STV3005
431	IC697 STV3005	IC698 STV3005	IC699 STV3005
432	IC700 STV3005	IC701 STV3005	IC702 STV3005
433	IC703 STV3005	IC704 STV3005	IC705 STV3005
434	IC706 STV3005	IC707 STV3005	IC708 STV3005
435	IC709 STV3005	IC710 STV3005	IC711 STV3005
436	IC712 STV3005	IC713 STV3005	IC714 STV3005
437	IC715 STV3005	IC716 STV3005	IC717 STV3005
438	IC718 STV3005	IC719 STV3005	IC720 STV3005
439	IC721 STV3005	IC722 STV3005	IC723 STV3005
440	IC724 STV3005	IC725 STV3005	IC726 STV3005
441	IC727 STV3005	IC728 STV3005	IC729 STV3005
442	IC730 STV3005	IC731 STV3005	IC732 STV3005
443	IC733 STV3005	IC734 STV3005	IC735 STV3005
444	IC736 STV3005	IC737 STV3005	IC738 STV3005
445	IC739 STV3005	IC740 STV3005	IC741 STV3005
446	IC742 STV3005	IC743 STV3005	IC744 STV3005
447	IC745 STV3005	IC746 STV3005	IC747 STV3005
448	IC748 STV3005	IC749 STV3005	IC750 STV3005
449	IC751 STV3005	IC752 STV3005	IC753 STV3005
450	IC754 STV3005	IC755 STV3005	IC756 STV3005
451	IC757 STV3005	IC758 STV3005	IC759 STV3005
452	IC760 STV3005	IC761 STV3005	IC762 STV3005
453	IC763 STV3005	IC764 STV3005	IC765 STV3005
454	IC766 STV3005	IC767 STV3005	IC768 STV3005
455	IC769 STV3005	IC770 STV3005	IC771 STV3005
456	IC772 STV3005	IC773 STV3005	IC774 STV3005
457	IC775 STV3005	IC776 STV3005	IC777 STV3005
458	IC778 STV3005	IC779 STV3005	IC780 STV3005
459	IC781 STV3005	IC782 STV3005	IC783 STV3005
460	IC784 STV3005	IC785 STV3005	IC786 STV3005
461	IC787 STV3005	IC788 STV3005	IC789 STV3005
462	IC790 STV3005	IC791 STV3005	IC792 STV3005
463	IC793 STV3005	IC794 STV3005	IC795 STV3005
464	IC796 STV3005	IC797 STV3005	IC798 STV3005
465	IC799 STV3005	IC800 STV3005	IC801 STV3005
466	IC802 STV3005	IC803 STV3005	IC804 STV3005
467	IC805 STV3005	IC806 STV3005	IC807 STV3005
468	IC808 STV3005	IC809 STV3005	IC810 STV3005
469	IC811 STV3005	IC812 STV3005	IC813 STV3005
470	IC814 STV3005	IC815 STV3005	IC816 STV3005
471	IC817 STV3005	IC818 STV3005	IC819 STV3005
472	IC820 STV3005	IC821 STV3005	IC822 STV3005
473	IC823 STV3005	IC824 STV3005	IC825 STV3005
474	IC826 STV3005	IC827 STV3005	IC828 STV3005
475	IC829 STV3005	IC830 STV3005	IC831 STV3005
476	IC832 STV3005	IC833 STV3005	IC834 STV3005
477	IC835 STV3005	IC836 STV3005	IC837 STV3005
478	IC838 STV3005	IC839 STV3005	IC840 STV3005
479	IC841 STV3005	IC842 STV3005	IC843 STV3005
480	IC844 STV3005	IC845 STV3005	IC846 STV3005
481	IC847 STV3005	IC848 STV3005	IC849 STV3005
482	IC850 STV3005	IC851 STV3005	IC852 STV3005
483	IC853 STV3005	IC854 STV3005	IC855 STV3005
484	IC856 STV3005	IC857 STV3005	IC858 STV3005
485	IC859 STV3005	IC860 STV3005	IC861 STV3005
486	IC862 STV3005	IC863 STV3005	IC864 STV3005
487	IC865 STV3005	IC866 STV3005	IC867 STV3005
488	IC868 STV3005	IC869 STV3005	IC870 STV3005
489	IC871 STV3005	IC872 STV3005	IC873 STV3005
490	IC874 STV3005	IC875 STV3005	IC876 STV3005
491	IC877 STV3005	IC878 STV3005	IC879 STV3005
492	IC880 STV3005	IC881 STV3005	IC882 STV3005
493	IC883 STV3005	IC884 STV3005	IC885 STV3005
494	IC886 STV3005	IC887 STV3005	IC888 STV3005
495	IC889 STV3005	IC890 STV3005	IC891 STV3005
496	IC892 STV3005	IC893 STV3005	IC894 STV3005
497	IC895 STV3005	IC896 STV3005	IC897 STV3005
498	IC898 STV3005	IC899 STV3005	IC900 STV3005
499	IC901 STV3005	IC902 STV3005	IC903 STV3005



SAFETY CRITICAL DEVICE.
 NOTE: HAVEFORM BAA ATTACH SHEET.
 ART-TECH VIDEO ENGINEERING LTD.
 HAIN ROAD, ECKINGTON, NOTTINGHAM, ENGLAND.
 TEL: 0530 211111
 FAX: 0530 211112
 DATE: MARCH 1987